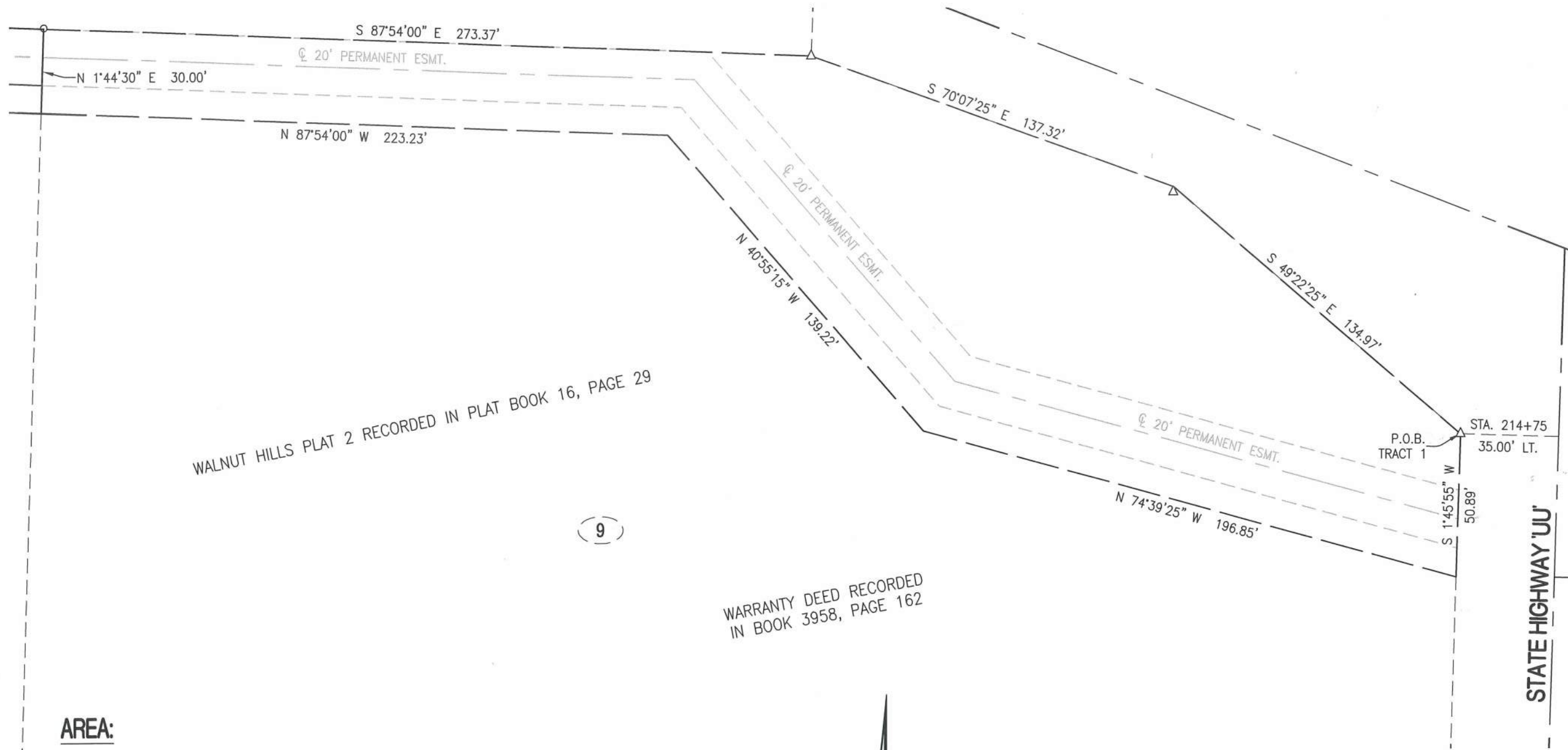


INTERSTATE 70



WALNUT HILLS PLAT 2 RECORDED IN PLAT BOOK 16, PAGE 29

9

WARRANTY DEED RECORDED  
IN BOOK 3958, PAGE 162

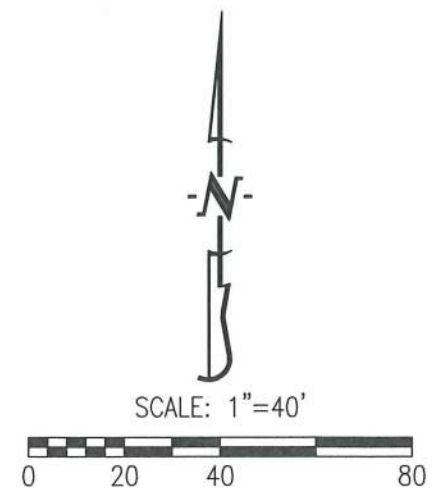
AREA:  
TEMPORARY ESMT. 21,105 SQ. FT.

STATE HIGHWAY 'UU'

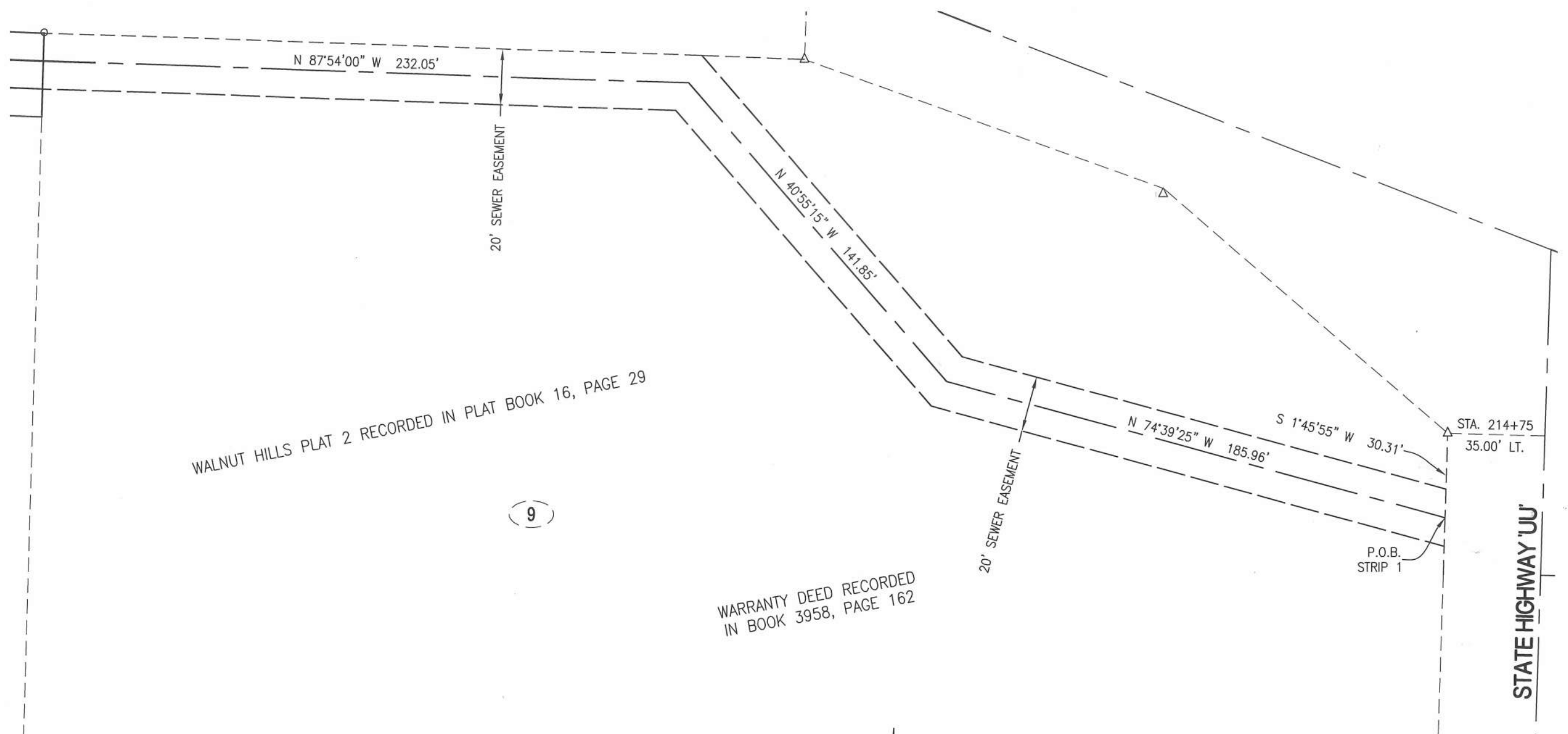
**CROCKETT**  
ENGINEERING CONSULTANTS  
1000 W. Nifong Blvd. Building 1  
Columbia, Missouri 65203  
(573) 447-0292  
www.crockettengineering.com

CORPORATE NUMBER: 2000151304	
DATE: 7/05/2017	SCALE: 1" = 40'
PROJECT: 150196	DRAWN BY: KWF

**HENDERSON BRANCH SEWER**  
TEMPORARY CONSTRUCTION EASEMENT  
VH PROPERTIES, LLC.  
SEC. 7, T48N, R13W  
BOONE COUNTY, MISSOURI  
ADDRESS:



INTERSTATE 70



**AREA:**

PERMANENT ESMT. 11200 SQ. FT.

**CROCKETT**  
**ENGINEERING CONSULTANTS**  
 1000 W. Nifong Blvd. Building 1  
 Columbia, Missouri 65203  
 (573) 447-0292  
 www.crockettengineering.com

CORPORATE NUMBER:  
2000151304

DATE: 7/05/2017 SCALE: 1" = 40'

PROJECT: 150196 DRAWN BY: KWF

**HENDERSON BRANCH SEWER**

SEWER EASEMENT  
 VH PROPERTIES, LLC.  
 SEC. 7, T48N, R13W  
 BOONE COUNTY, MISSOURI

ADDRESS:

WARRANTY DEED RECORDED  
 IN BOOK 3958, PAGE 162



SCALE: 1"=40'



W. VAN HORN TAVERN RD.  
(R/W VARIES)

S 0°53'35" W 121.89'

P.O.B.  
STRIP 2

(1)

VH ACRES RECORDED IN PLAT BOOK 44, PAGE 25

TRUSTEES DEED RECORDED  
IN BOOK 3682, PAGE 3

S 48°05'30" E 165.92'

20' SEWER EASEMENT

30' SEWER EASEMENT

(2)

292.53'

S 46°08'00" E 475.51'

30' SEWER EASEMENT

182.98'

VH ACRES RECORDED IN PLAT BOOK 44, PAGE 25

(2)

WARRANTY DEED RECORDED  
IN BOOK 4215, PAGE 205

S 48°27'00" E 38.89'

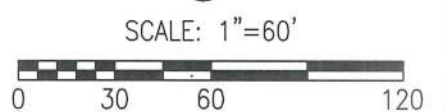
**AREA:**

PERMANENT ESMT. 18,750 SQ. FT.

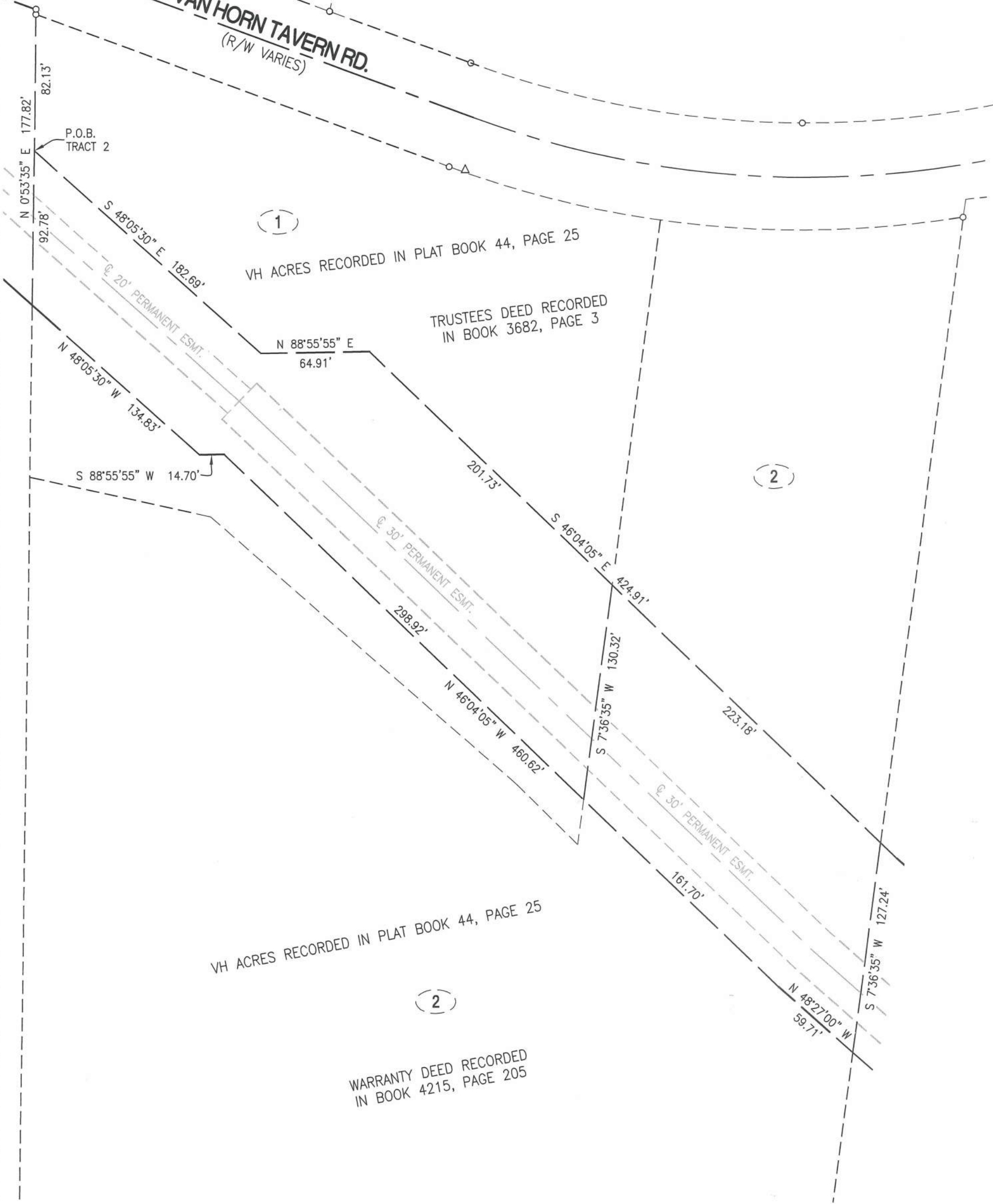
**CROCKETT**  
ENGINEERING CONSULTANTS  
1000 W. Nifong Blvd. Building 1  
Columbia, Missouri 65203  
(573) 447-0292  
www.crockettengineering.com

CORPORATE NUMBER:  
2000151304  
DATE:  
7/05/2017  
PROJECT:  
150196  
SCALE:  
1" = 60'  
DRAWN BY:  
KWF

**HENDERSON BRANCH SEWER**  
SEWER EASEMENT  
VH PROPERTIES, LLC.  
SEC. 7, T48N, R13W  
BOONE COUNTY, MISSOURI  
ADDRESS:



W. VAN HORN TAVERN RD.  
(R/W VARIES)



VH ACRES RECORDED IN PLAT BOOK 44, PAGE 25

TRUSTEES DEED RECORDED  
IN BOOK 3682, PAGE 3

VH ACRES RECORDED IN PLAT BOOK 44, PAGE 25

WARRANTY DEED RECORDED  
IN BOOK 4215, PAGE 205

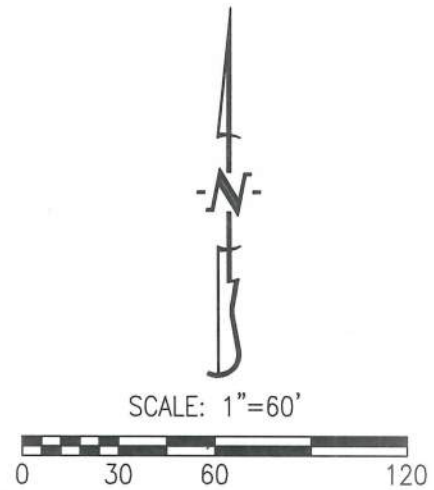
**AREA:**

TEMPORARY ESMT. 44,400 SQ. FT.

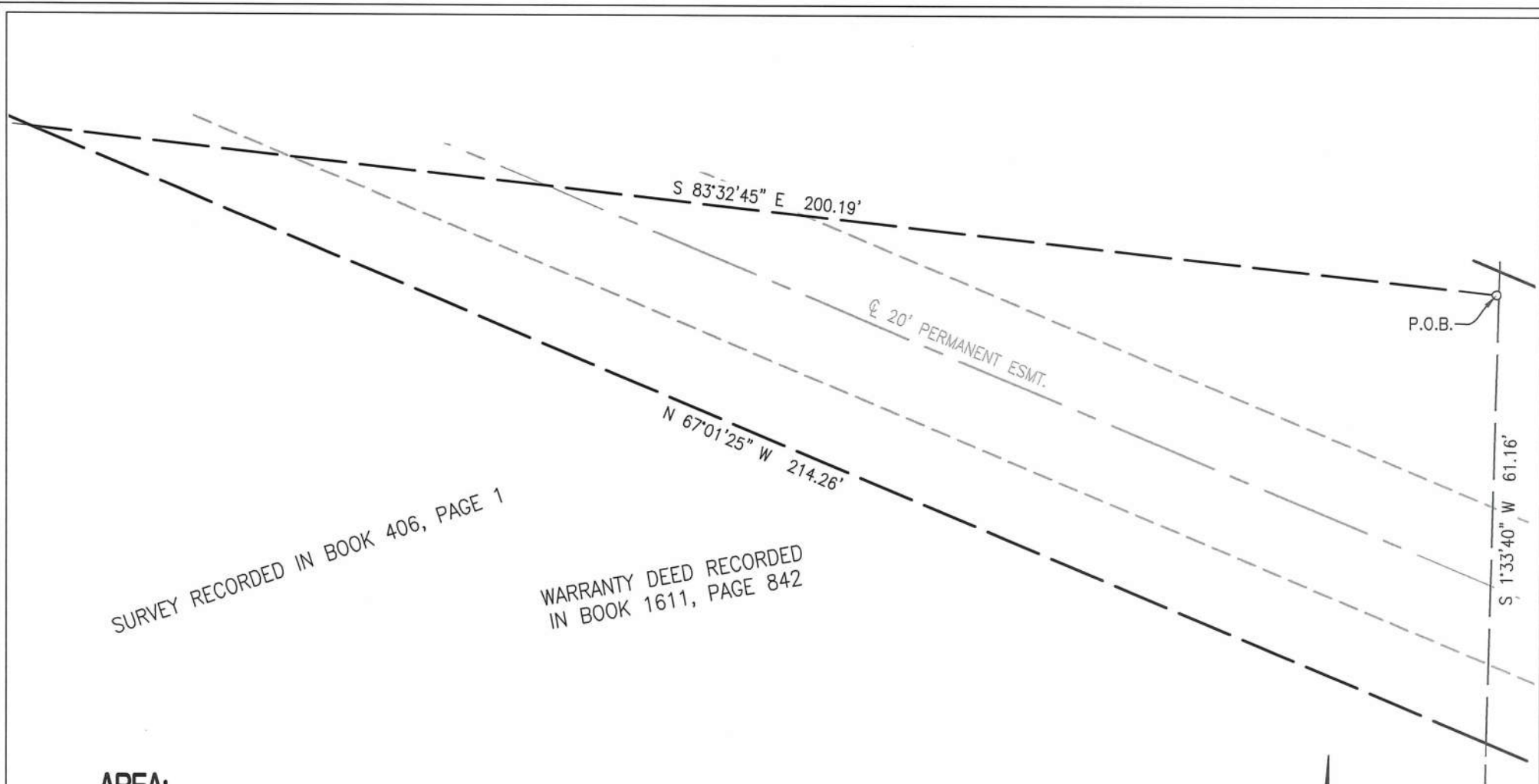
**CROCKETT**  
ENGINEERING CONSULTANTS  
1000 W. Nifong Blvd. Building 1  
Columbia, Missouri 65203  
(573) 447-0292  
www.crockettengineering.com

CORPORATE NUMBER: 2000151304	
DATE: 7/05/2017	SCALE: 1" = 60'
PROJECT: 150196	DRAWN BY: KWF

**HENDERSON BRANCH SEWER**  
TEMPORARY CONSTRUCTION EASEMENT  
VH PROPERTIES, LLC.  
SEC. 7, T48N, R13W  
BOONE COUNTY, MISSOURI  
ADDRESS:





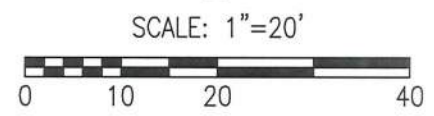


SURVEY RECORDED IN BOOK 406, PAGE 1

WARRANTY DEED RECORDED  
IN BOOK 1611, PAGE 842

**AREA:**

TEMPORARY ESMT. 3320 SQ. FT.



**CROCKETT**  
ENGINEERING CONSULTANTS  
1000 W. Nifong Blvd. Building 1  
Columbia, Missouri 65203  
(573) 447-0292  
[www.crockettengineering.com](http://www.crockettengineering.com)

CORPORATE NUMBER: 2000151304	
DATE: 6/21/2017	SCALE: 1" = 30'
PROJECT: 150196	DRAWN BY: KWF

**HENDERSON BRANCH SEWER**

TEMPORARY CONSTRUCTION EASEMENT  
BLAIR WILLIAM & CHRISTINE JOHNSON  
SEC. 7, T48N, R13W  
COLUMBIA, BOONE COUNTY, MISSOURI

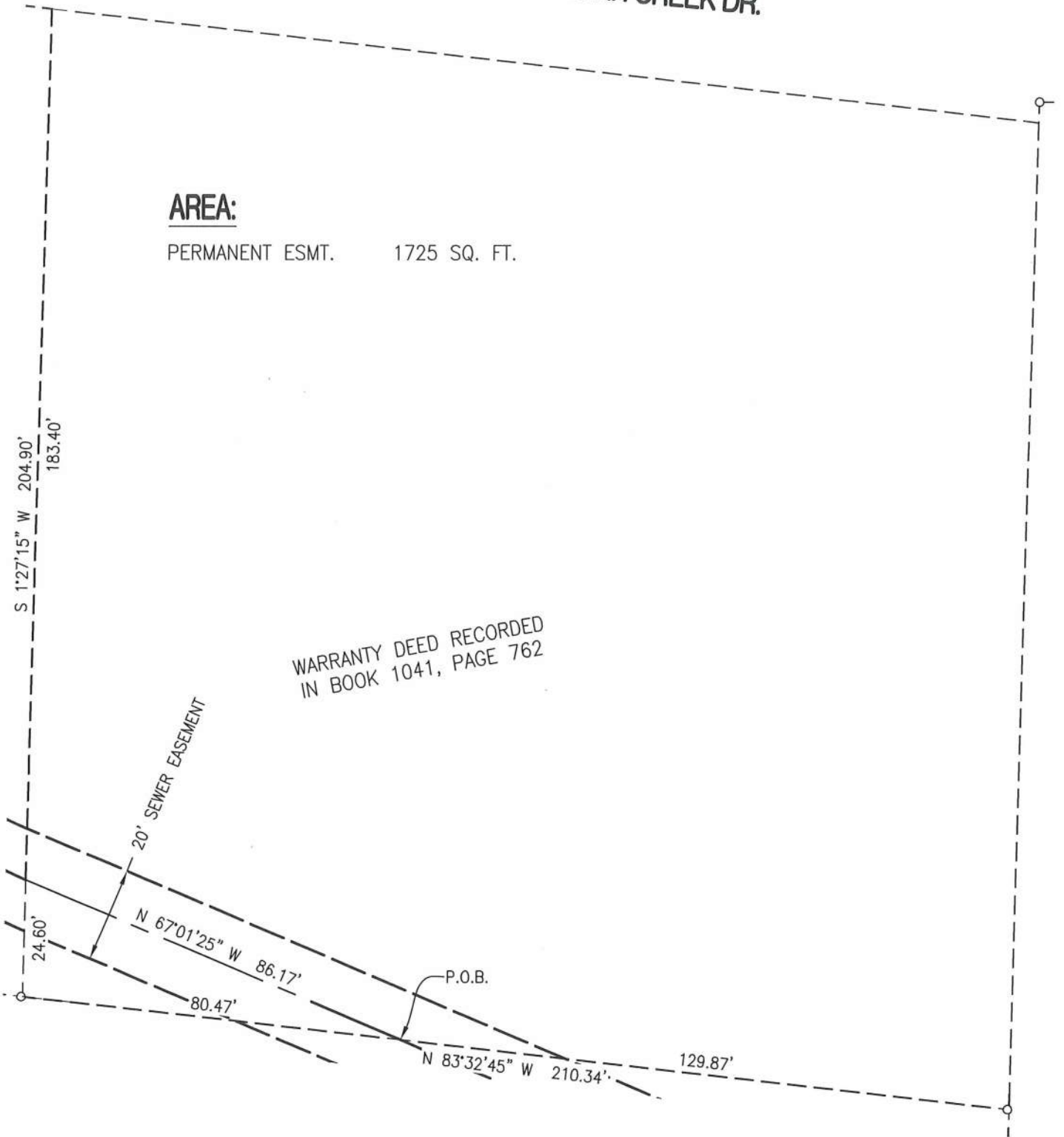
ADDRESS:

W. SUGAR CREEK DR.

**AREA:**

PERMANENT ESMT. 1725 SQ. FT.

WARRANTY DEED RECORDED  
IN BOOK 1041, PAGE 762



**CROCKETT**  
**ENGINEERING CONSULTANTS**  
 1000 W. Nifong Blvd. Building 1  
 Columbia, Missouri 65203  
 (573) 447-0292  
 www.crockettengineering.com

CORPORATE NUMBER: 2000151304	
DATE: 6/26/2017	SCALE: 1" = 30'
PROJECT: 150196	DRAWN BY: KWF

<b>HENDERSON BRANCH SEWER</b>
SEWER EASEMENT MAHEWARI RAVINDRAN SEC. 7, T48N, R13W BOONE COUNTY, MISSOURI
ADDRESS:

W. SUGAR CREEK DR.

**AREA:**

TEMPORARY ESMT. 5690 SQ. FT.

140.40'

N 1°27'15" E 204.90'

WARRANTY DEED RECORDED  
IN BOOK 1041, PAGE 762

64.50'

20' PERMANENT ESMT.

N 67°01'25" W 10.86'

S 67°01'25" E 225.25'

S 83°32'45" E 200.19'

S 1°33'40" W 3.29'

P.O.B.

**CROCKETT**

ENGINEERING CONSULTANTS

1000 W. Nifong Blvd. Building 1  
Columbia, Missouri 65203  
(573) 447-0292

www.crockettengineering.com

CORPORATE NUMBER:  
2000151304

DATE:  
6/26/2017

PROJECT:  
150196

SCALE:  
1" = 30'

DRAWN BY:  
KWF

**HENDERSON BRANCH SEWER**

TEMPORARY CONSTRUCTION EASEMENT  
MAHEWARI RAVINDRAN  
SEC. 7, T48N, R13W  
BOONE COUNTY, MISSOURI

ADDRESS:



W. SUGAR CREEK DR.

S 1°27'15" W 15.06'

P.O.B.

S 83°32'45" E 332.89'

20' SEWER EASEMENT

SURVEY RECORDED IN BOOK 326, PAGE 212

WARRANTY DEED RECORDED  
IN BOOK 4719, PAGE 162

S 3°31'00" E 160.96'

20' SEWER EASEMENT

S 67°01'25" E  
32.25'

**AREA:**

PERMANENT ESMT. 10520 SQ. FT.

**CROCKETT**  
**ENGINEERING CONSULTANTS**  
 1000 W. Nifong Blvd. Building 1  
 Columbia, Missouri 65203  
 (573) 447-0292  
 www.crockettengineering.com

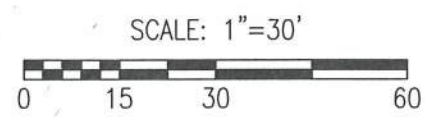
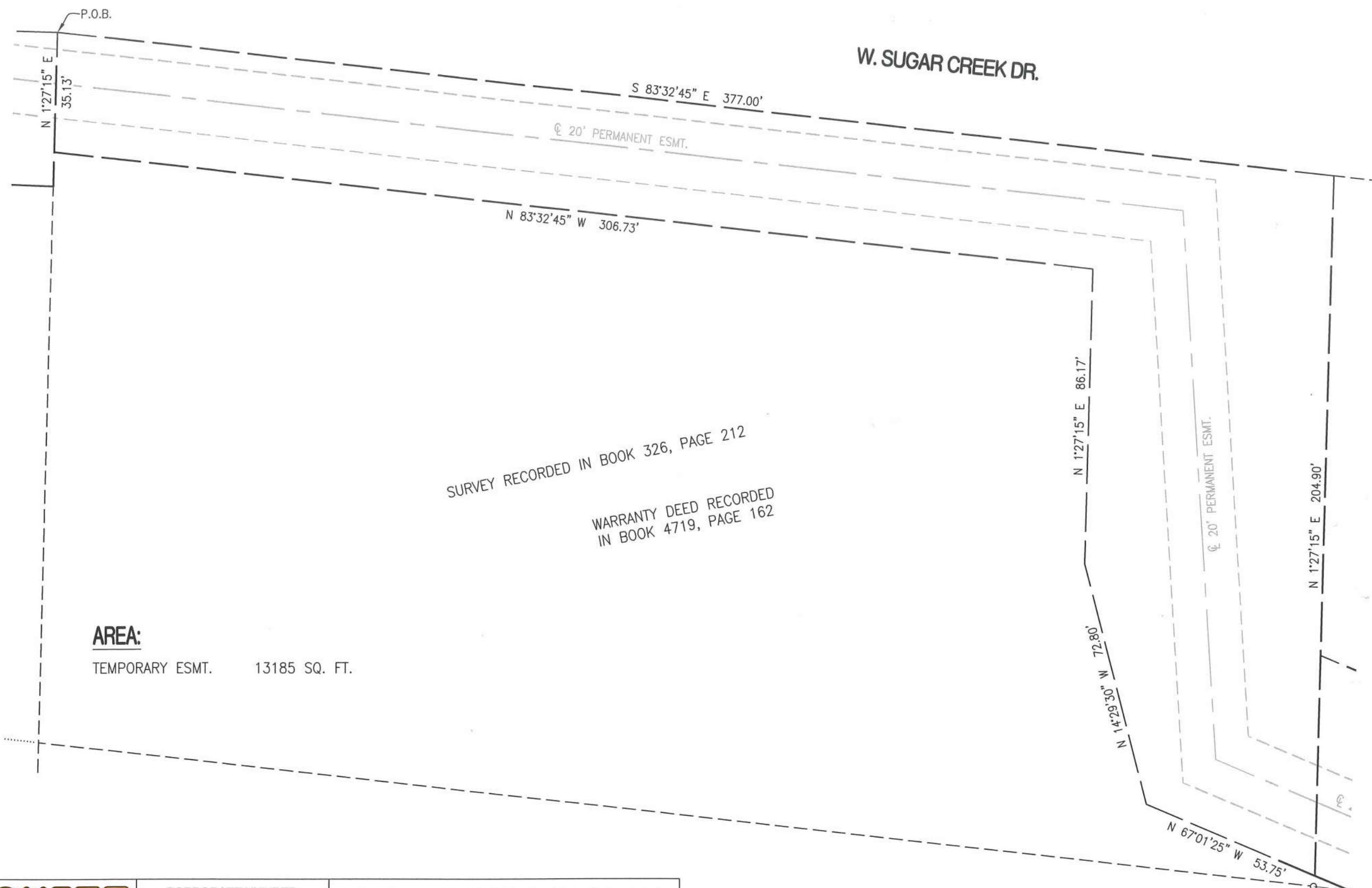
CORPORATE NUMBER: 2000151304	
DATE: 6/26/2017	SCALE: 1" = 30'
PROJECT: 150196	DRAWN BY: KWF

<b>HENDERSON BRANCH SEWER</b>
SEWER EASEMENT AMANDA STURTEVANT SEC. 7, T48N, R13W BOONE COUNTY, MISSOURI
ADDRESS:



SCALE: 1"=30'





**CROCKETT**  
ENGINEERING CONSULTANTS  
1000 W. Nifong Blvd. Building 1  
Columbia, Missouri 65203  
(573) 447-0292  
www.crockettengineering.com

CORPORATE NUMBER:  
2000151304

DATE: 6/26/2017

SCALE: 1" = 30'

PROJECT: 150196

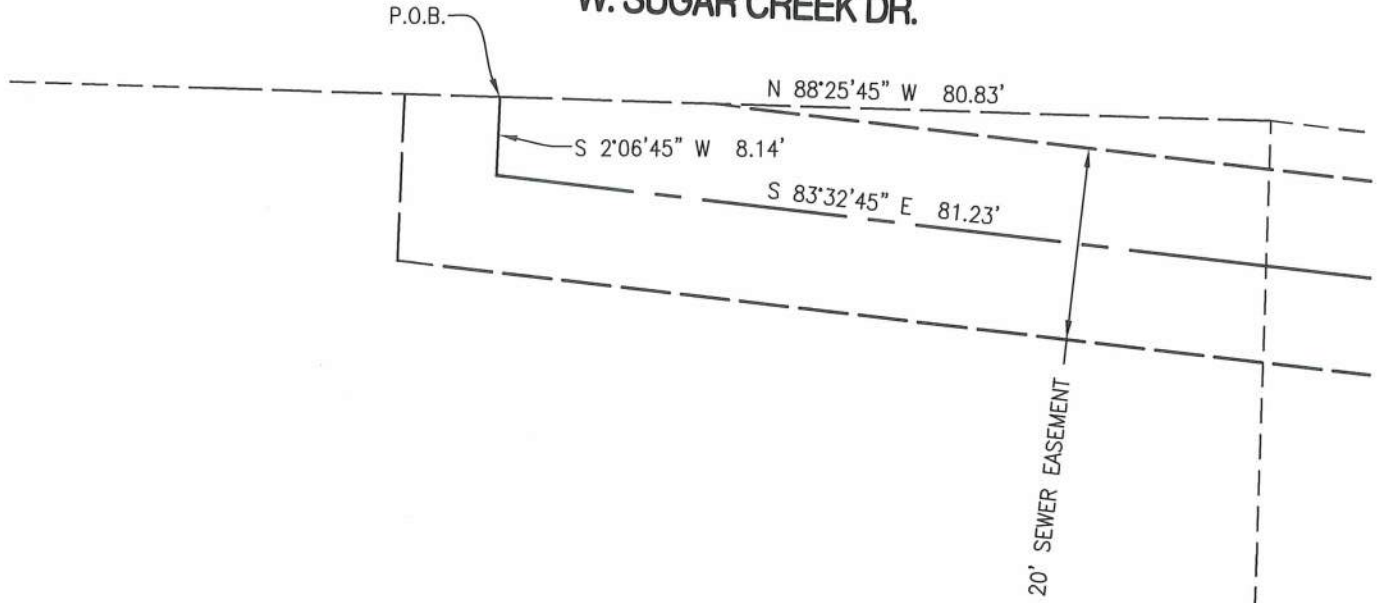
DRAWN BY: KWF

**HENDERSON BRANCH SEWER**

TEMPORARY CONSTRUCTION EASEMENT  
AMANDA STURTEVANT  
SEC. 7, T48N, R13W  
BOONE COUNTY, MISSOURI

ADDRESS:

**W. SUGAR CREEK DR.**



SURVEY RECORDED IN BOOK 406, PAGE 1

WARRANTY DEED RECORDED  
IN BOOK 1183, PAGE 954

**AREA:**

PERMANENT ESMT. 1780 SQ. FT.

SCALE: 1"=20'



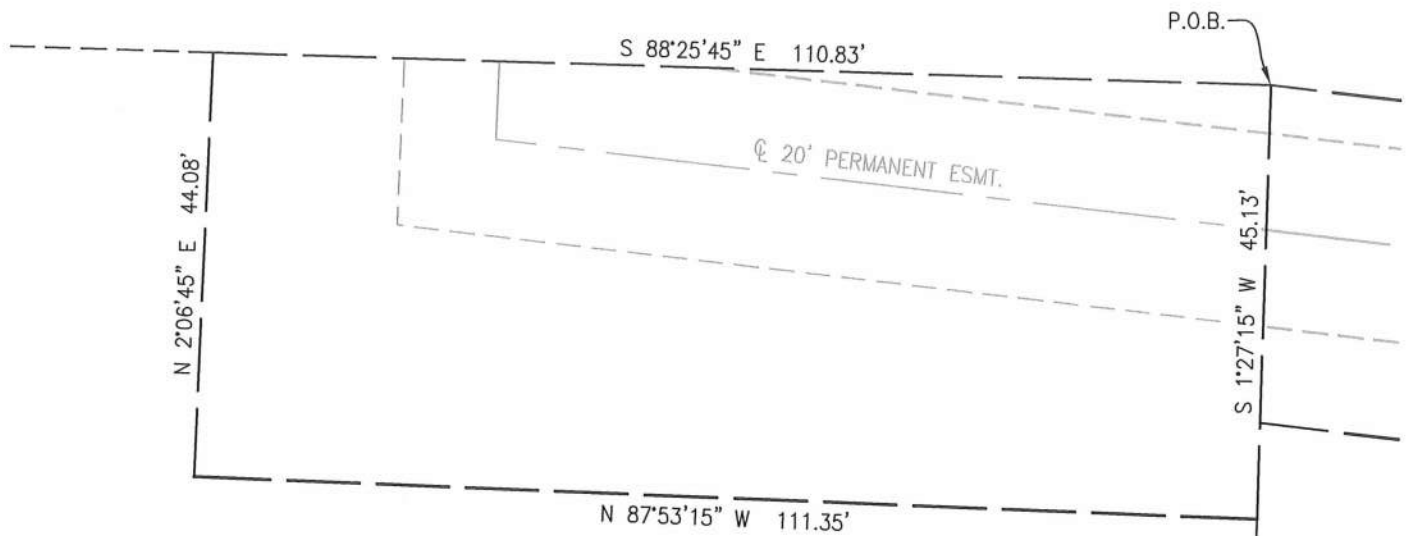
**CROCKETT**  
ENGINEERING CONSULTANTS  
1000 W. Nifong Blvd. Building 1  
Columbia, Missouri 65203  
(573) 447-0292  
[www.crockettengineering.com](http://www.crockettengineering.com)

CORPORATE NUMBER: 2000151304	
DATE: 6/26/2017	SCALE: 1" = 20'
PROJECT: 150196	DRAWN BY: KWF

**HENDERSON BRANCH SEWER**

SEWER EASEMENT  
DARREN & JANE HARRIS  
SEC. 7, T48N, R13W  
BOONE COUNTY, MISSOURI  
ADDRESS:

W. SUGAR CREEK DR.



SURVEY RECORDED IN BOOK 406, PAGE 1

WARRANTY DEED RECORDED  
IN BOOK 1183, PAGE 954



**AREA:**

TEMPORARY ESMT. 3175 SQ. FT.

SCALE: 1"=20'



**CROCKETT**

ENGINEERING CONSULTANTS

1000 W. Nifong Blvd. Building 1  
Columbia, Missouri 65203  
(573) 447-0292

www.crockettengineering.com

CORPORATE NUMBER:  
2000151304

DATE:  
6/26/2017

PROJECT:  
150196

SCALE:  
1" = 20'

DRAWN BY:  
KWF

**HENDERSON BRANCH SEWER**

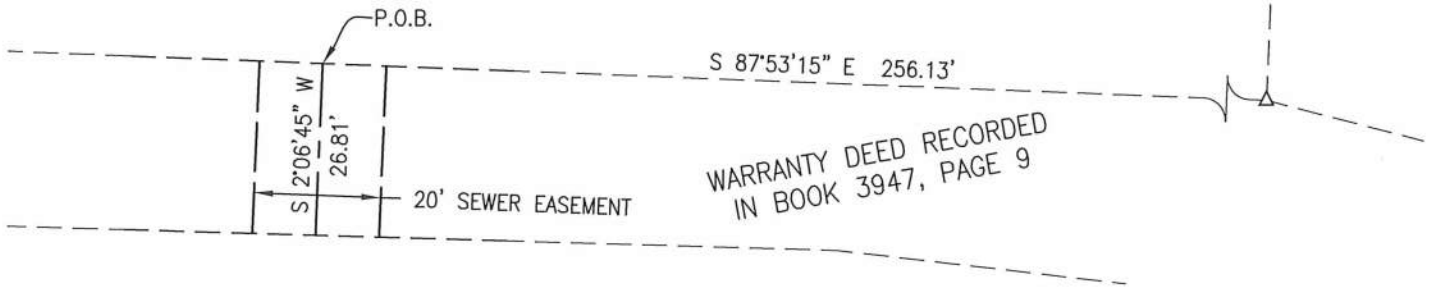
TEMPORARY CONSTRUCTION EASEMENT

DARREN & JANE HARRIS  
SEC. 7, T48N, R13W  
BOONE COUNTY, MISSOURI

ADDRESS:

INTERSTATE 70

STA. 323+00  
150.00' RT.



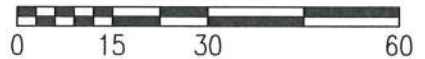
W. SUGAR CREEK DR.

**AREA:**

PERMANENT ESMT. 535 SQ. FT.



SCALE: 1"=30'



**CROCKETT**

**ENGINEERING CONSULTANTS**

1000 W. Nifong Blvd. Building 1  
Columbia, Missouri 65203  
(573) 447-0292

www.crockettengineering.com

CORPORATE NUMBER:  
2000151304

DATE:  
7/05/2017

PROJECT:  
150196

SCALE:  
1" = 30'

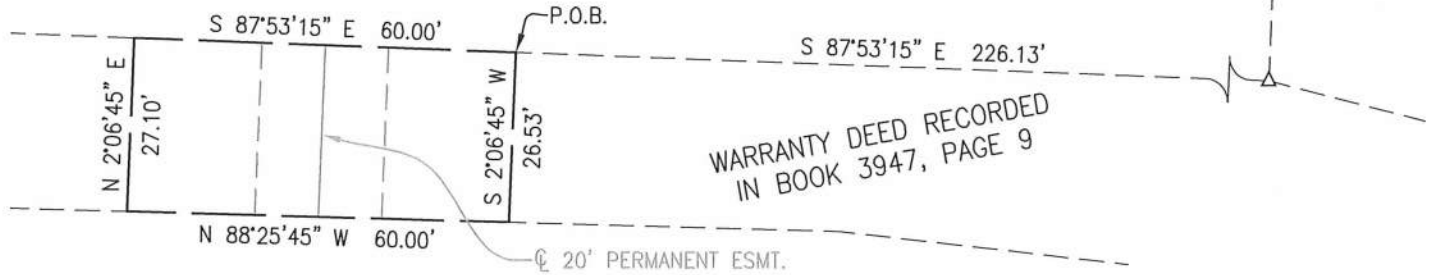
DRAWN BY:  
KWF

**HENDERSON BRANCH SEWER**

SEWER EASEMENT  
COURTNEY OWENS  
SEC. 7, T48N, R13W  
BOONE COUNTY, MISSOURI

ADDRESS:

**INTERSTATE 70**



**W. SUGAR CREEK DR.**

**AREA:**

TEMPORARY ESMT. 1075 SQ. FT.



SCALE: 1"=30'



**CROCKETT**

**ENGINEERING CONSULTANTS**

1000 W. Nifong Blvd. Building 1  
Columbia, Missouri 65203  
(573) 447-0292

www.crockettengineering.com

CORPORATE NUMBER:  
2000151304

DATE:  
7/05/2017

PROJECT:  
150196

SCALE:  
1" = 30'

DRAWN BY:  
KWF

**HENDERSON BRANCH SEWER**

TEMPORARY CONSTRUCTION EASEMENT

COURTNEY OWENS  
SEC. 7, T48N, R13W  
BOONE COUNTY, MISSOURI

ADDRESS:

SURVEY RECORDED IN  
BOOK 577, PAGE 846

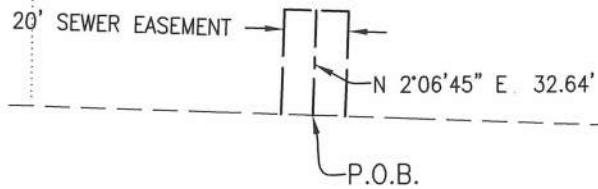


SCALE: 1"=60'



SURVEY RECORDED IN BOOK 396, PAGE 460

TRUSTEES DEED RECORDED IN BOOK 4085, PAGE 98



N 87°53'15" W 556.13'

STA. 326+00  
150.00' LT.

INTERSTATE 70

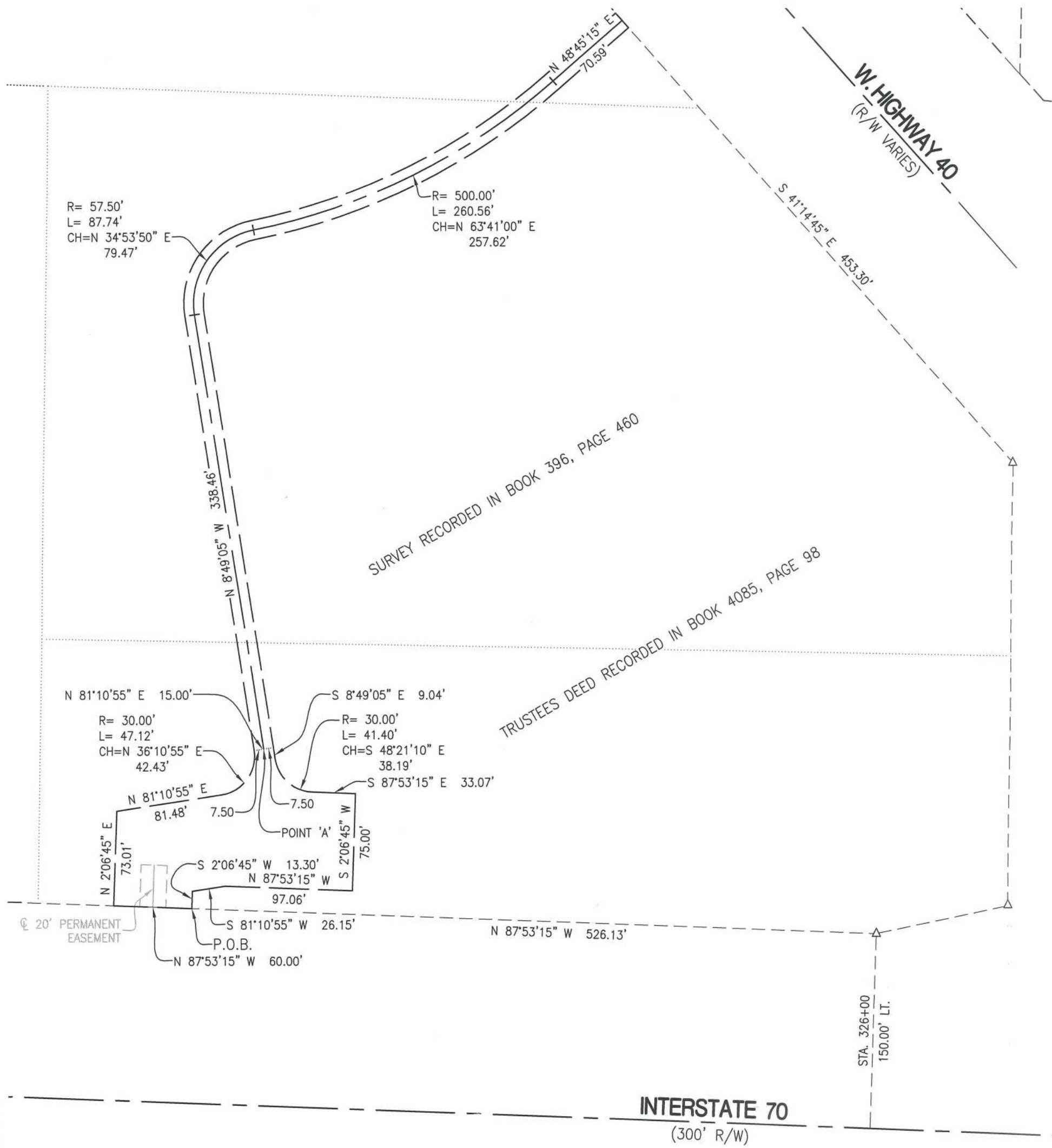
**AREA:**

PERMANENT ESMT. 655 SQ. FT.

**CROCKETT**  
ENGINEERING CONSULTANTS  
1000 W. Nifong Blvd. Building 1  
Columbia, Missouri 65203  
(573) 447-0292  
www.crockettengineering.com

CORPORATE NUMBER:  
2000151304  
DATE: 6/26/2017  
SCALE: 1" = 60'  
PROJECT: 150196  
DRAWN BY: KWF

**HENDERSON BRANCH SEWER**  
SEWER EASEMENT  
BECHTOLD PROPERTIES, LLC.  
SEC. 6 & 7, T48N, R13W  
BOONE COUNTY, MISSOURI  
ADDRESS:



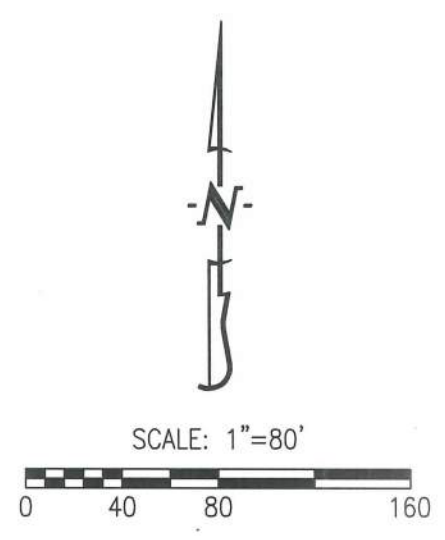
**AREA:**

TEMPORARY ESMT. TRACT - 13,945 SQ. FT.  
 TEMPORARY ESMT. STRIP - 11,360 SQ. FT.

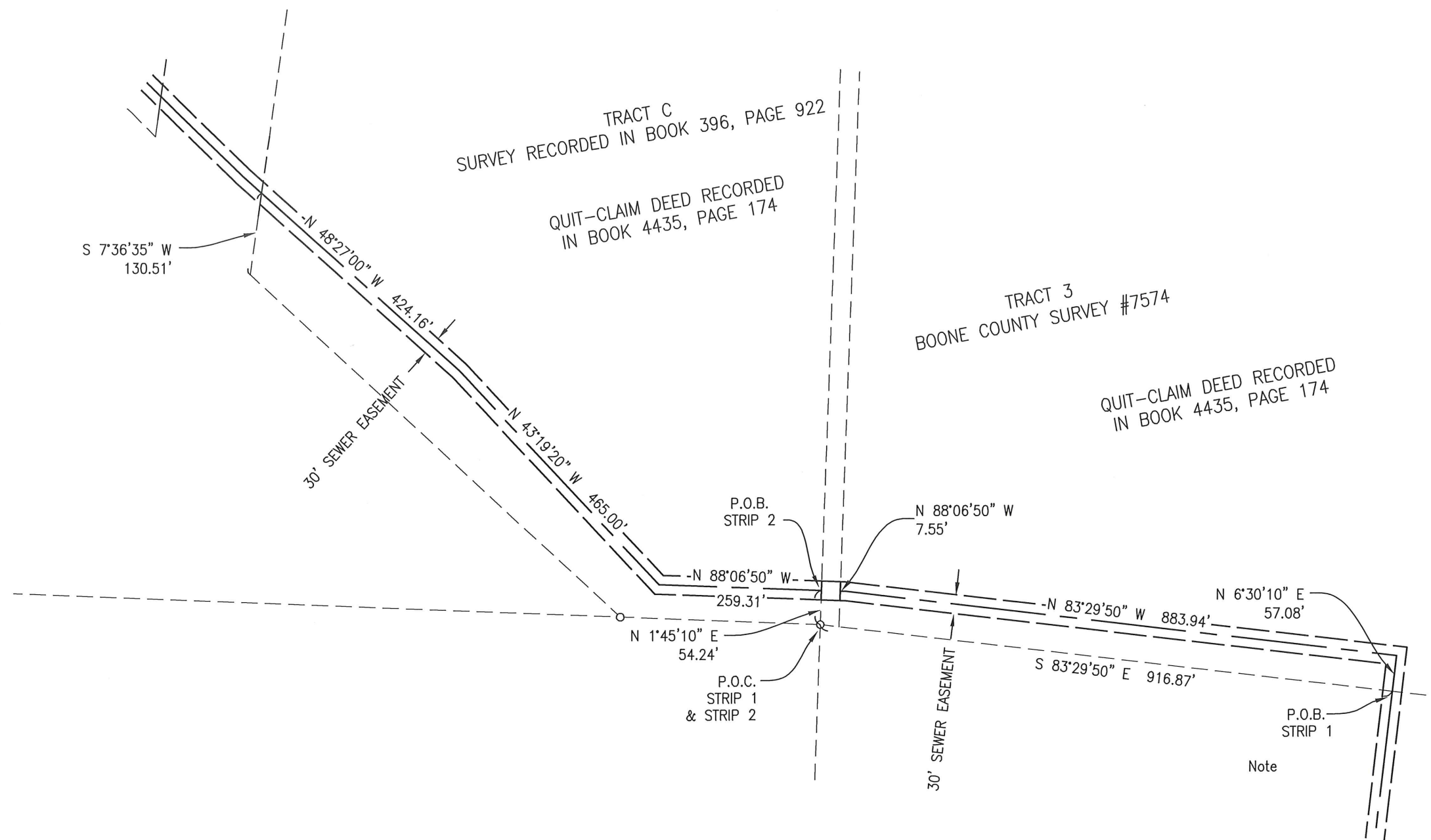
**CROCKETT**  
**ENGINEERING CONSULTANTS**  
 1000 W. Nifong Blvd. Building 1  
 Columbia, Missouri 65203  
 (573) 447-0292  
 www.crockettengineering.com

CORPORATE NUMBER: 2000151304	
DATE: 6/26/2017	SCALE: 1" = 80'
PROJECT: 150196	DRAWN BY: KWF

**HENDERSON BRANCH SEWER**  
 TEMPORARY CONSTRUCTION EASEMENT  
 BECHTOLD PROPERTIES, LLC.  
 SEC. 6 & 7, T48N, R13W  
 BOONE COUNTY, MISSOURI  
 ADDRESS:







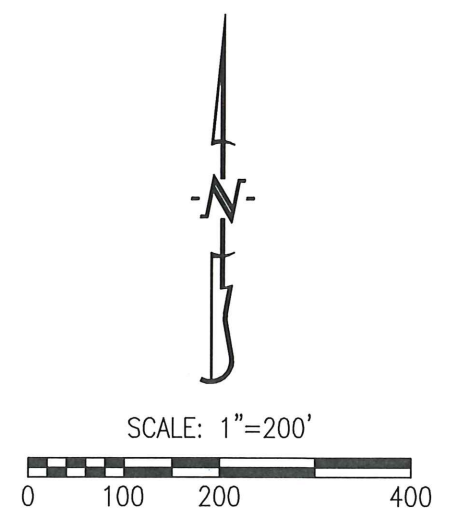
**AREA:**

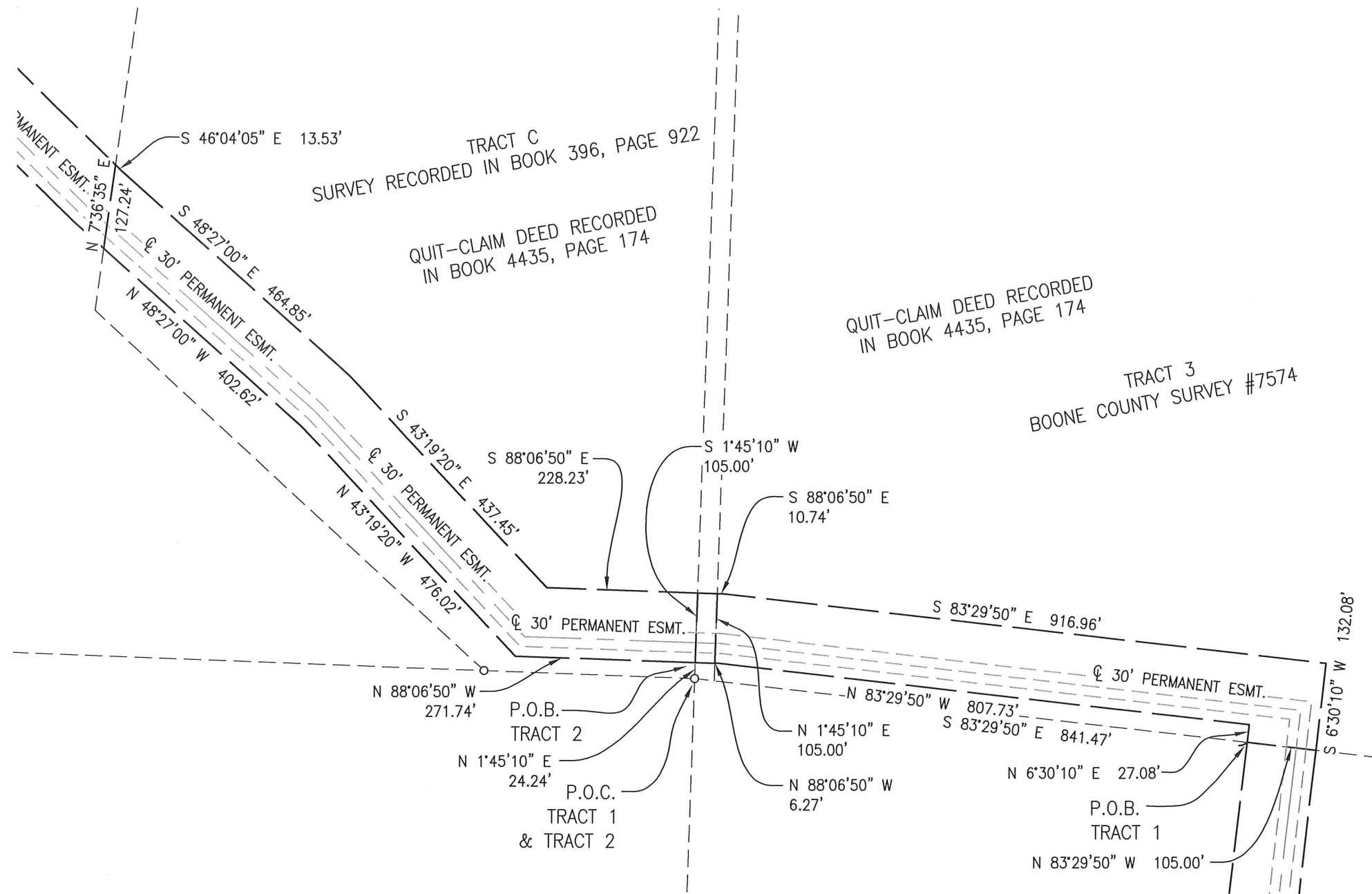
PERMANENT ESMT. STRIP 1 – 28455 SQ. FT.  
 PERMANENT ESMT. STRIP 2 – 34455 SQ. FT.

**CROCKETT**  
**ENGINEERING CONSULTANTS**  
 1000 W. Nifong Blvd. Building 1  
 Columbia, Missouri 65203  
 (573) 447-0292  
 www.crockettengineering.com

CORPORATE NUMBER:  
 2000151304  
 DATE: 3/19/2018  
 SCALE: 1" = 200'  
 PROJECT: 150196  
 DRAWN BY: KWF

**HENDERSON BRANCH SEWER**  
 SEWER EASEMENT  
 MFL GOLF, LLC.  
 SEC. 7, T48N, R13W  
 BOONE COUNTY, MISSOURI  
 ADDRESS:





**AREA:**

TEMPORARY ESMT. TRACT 1 - 71340 SQ. FT.  
 TEMPORARY ESMT. TRACT 2 - 86115 SQ. FT.

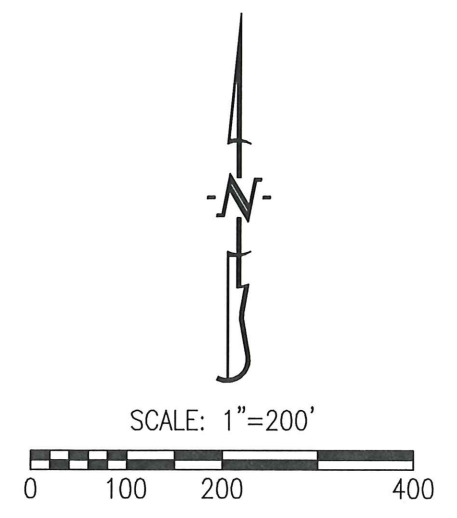
**CROCKETT**  
**ENGINEERING CONSULTANTS**  
 1000 W. Nifong Blvd. Building 1  
 Columbia, Missouri 65203  
 (573) 447-0292  
 www.crockettengineering.com

CORPORATE NUMBER: 2000151304	
DATE: 3/19/2018	SCALE: 1" = 200'
PROJECT: 150196	DRAWN BY: KWF

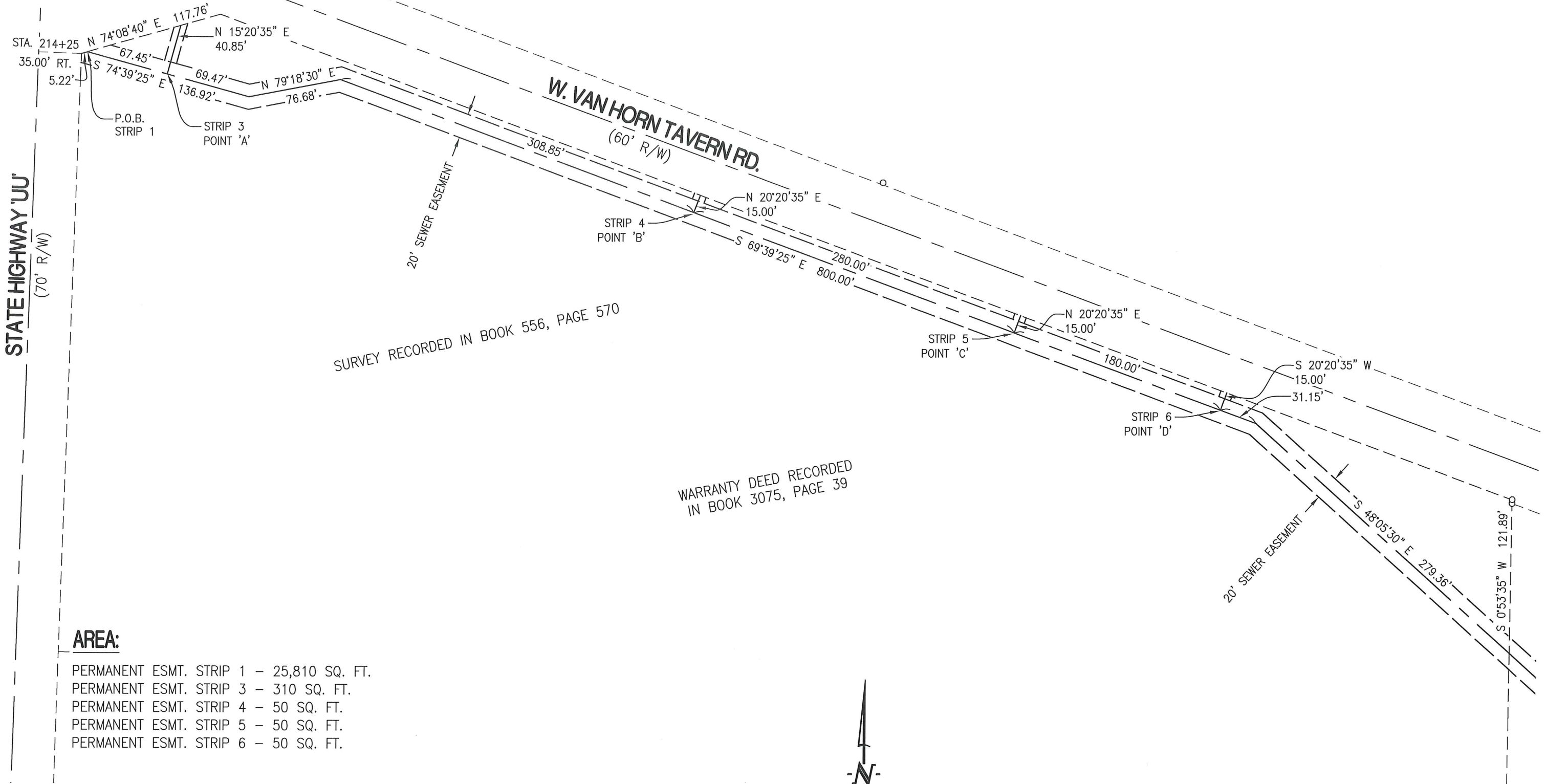
**HENDERSON BRANCH SEWER**

TEMPORARY CONSTRUCTION EASEMENT  
 MFL GOLF, LLC.  
 SEC. 7, T48N, R13W  
 BOONE COUNTY, MISSOURI

ADDRESS:



STATE HIGHWAY 'JJ'  
(70' R/W)



**AREA:**

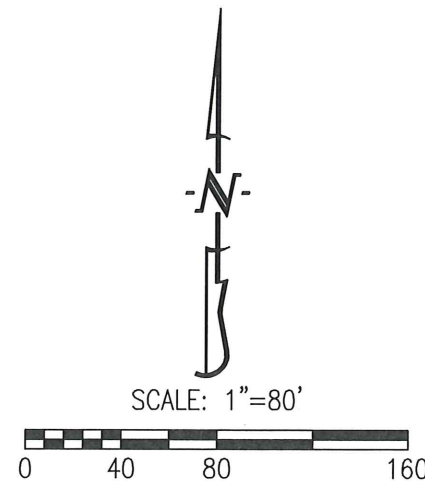
- PERMANENT ESMT. STRIP 1 - 25,810 SQ. FT.
- PERMANENT ESMT. STRIP 3 - 310 SQ. FT.
- PERMANENT ESMT. STRIP 4 - 50 SQ. FT.
- PERMANENT ESMT. STRIP 5 - 50 SQ. FT.
- PERMANENT ESMT. STRIP 6 - 50 SQ. FT.

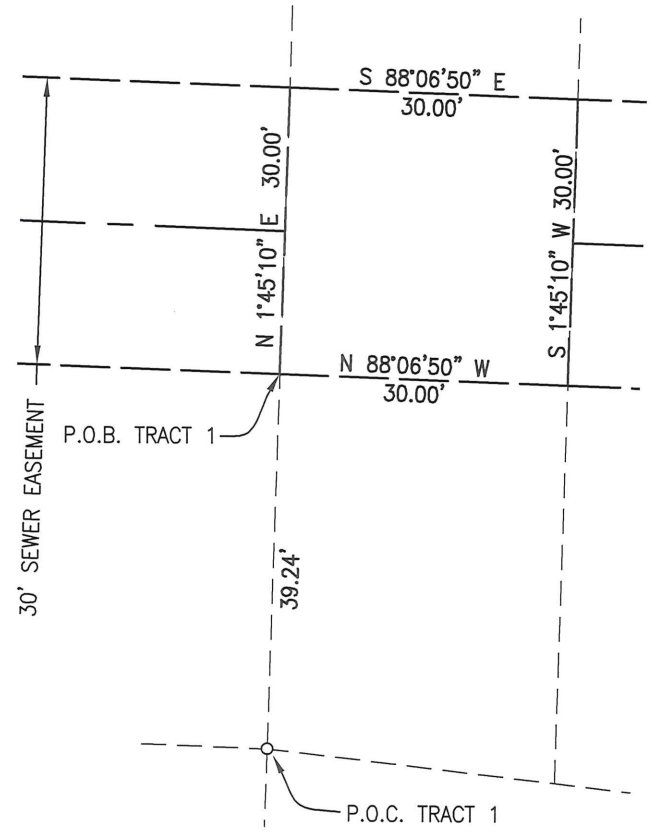
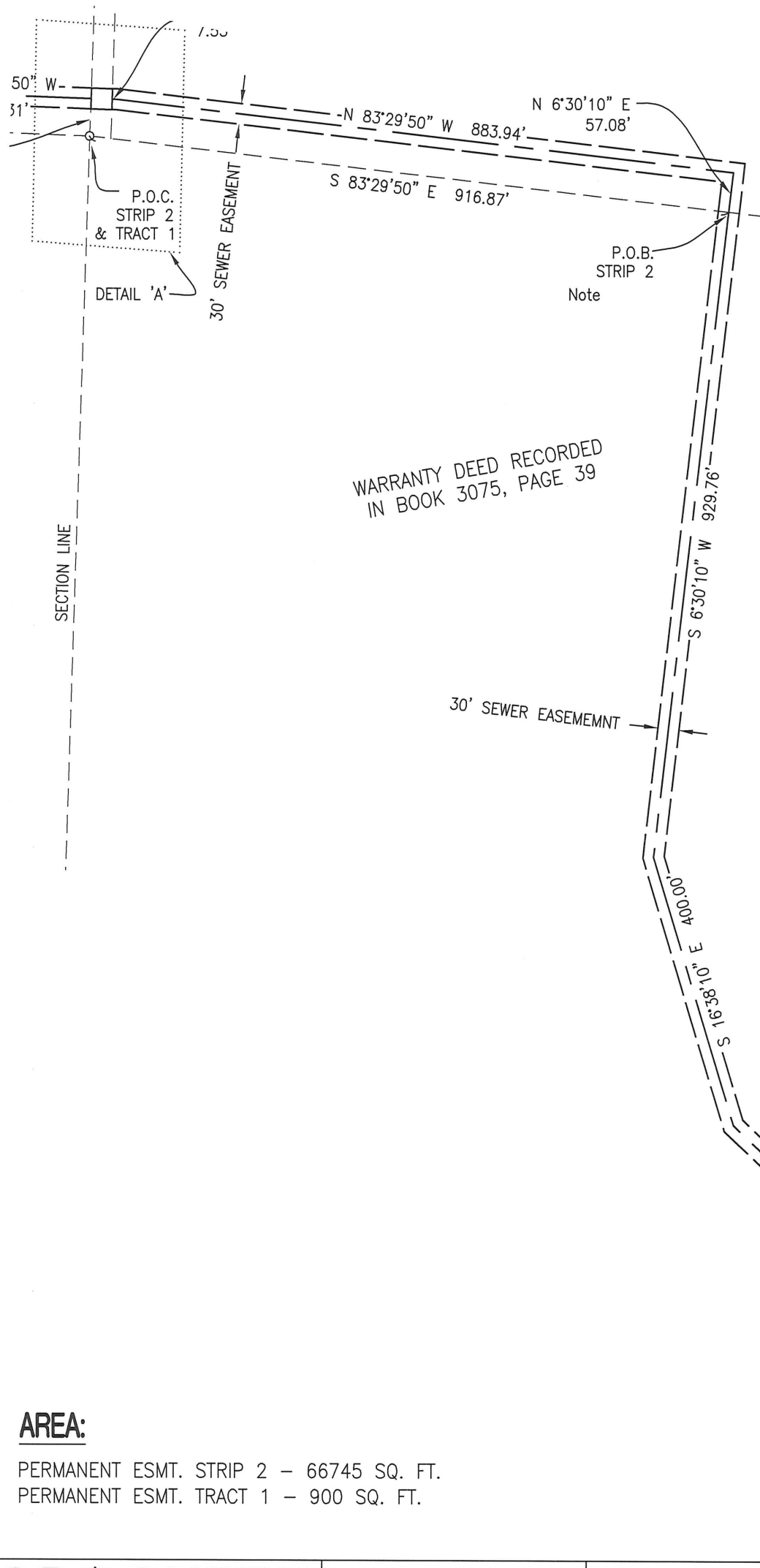
**CROCKETT**  
ENGINEERING CONSULTANTS  
1000 W. Nifong Blvd. Building 1  
Columbia, Missouri 65203  
(573) 447-0292  
www.crockettengineering.com

CORPORATE NUMBER: 2000151304	
DATE: 3/19/2017	SCALE: 1" = 80'
PROJECT: 150196	DRAWN BY: KWF

**HENDERSON BRANCH SEWER**  
SEWER EASEMENT  
FRITZ FAMILY GIFT TRUST  
SEC. 7, T48N, R13W  
BOONE COUNTY, MISSOURI  
ADDRESS:

WARRANTY DEED RECORDED  
IN BOOK 3075, PAGE 39

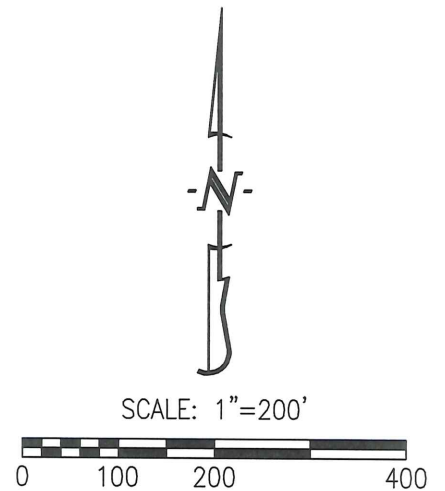




**DETAIL 'A'**

SCALE: 1" = 20'

WARRANTY DEED RECORDED  
IN BOOK 3075, PAGE 39



**AREA:**

PERMANENT ESMT. STRIP 2 - 66745 SQ. FT.  
PERMANENT ESMT. TRACT 1 - 900 SQ. FT.

**CROCKETT**  
ENGINEERING CONSULTANTS  
1000 W. Nifong Blvd. Building 1  
Columbia, Missouri 65203  
(573) 447-0292  
[www.crockettengineering.com](http://www.crockettengineering.com)

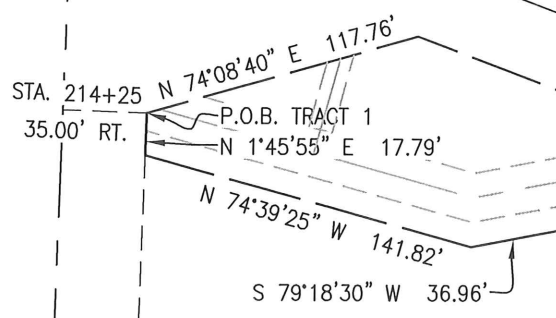
CORPORATE NUMBER:  
2000151304  
DATE: 3/19/2017  
SCALE: 1" = 200'  
PROJECT: 150196  
DRAWN BY: KWF

**HENDERSON BRANCH SEWER**

SEWER EASEMENT  
FRITZ FAMILY GIFT TRUST  
SEC. 8, T48N, R13W  
BOONE COUNTY, MISSOURI

ADDRESS:

STATE HIGHWAY 'UU'  
(70' R/W)



W. VAN HORN TAVERN RD.  
(60' R/W)

SURVEY RECORDED IN BOOK 556, PAGE 570

WARRANTY DEED RECORDED  
IN BOOK 3075, PAGE 39

**AREA:**

TEMPORARY ESMT. TRACT 1 - 56,585 SQ. FT.

20' PERMANENT ESMT.

S 0°53'35" W 177.82'

**CROCKETT**

ENGINEERING CONSULTANTS  
1000 W. Nifong Blvd. Building 1  
Columbia, Missouri 65203  
(573) 447-0292

www.crockettengineering.com

CORPORATE NUMBER:  
2000151304

DATE:  
3/19/2017

PROJECT:  
150196

SCALE:  
1" = 80'

DRAWN BY:  
KWF

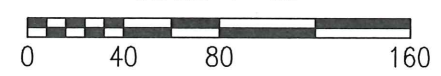
**HENDERSON BRANCH SEWER**

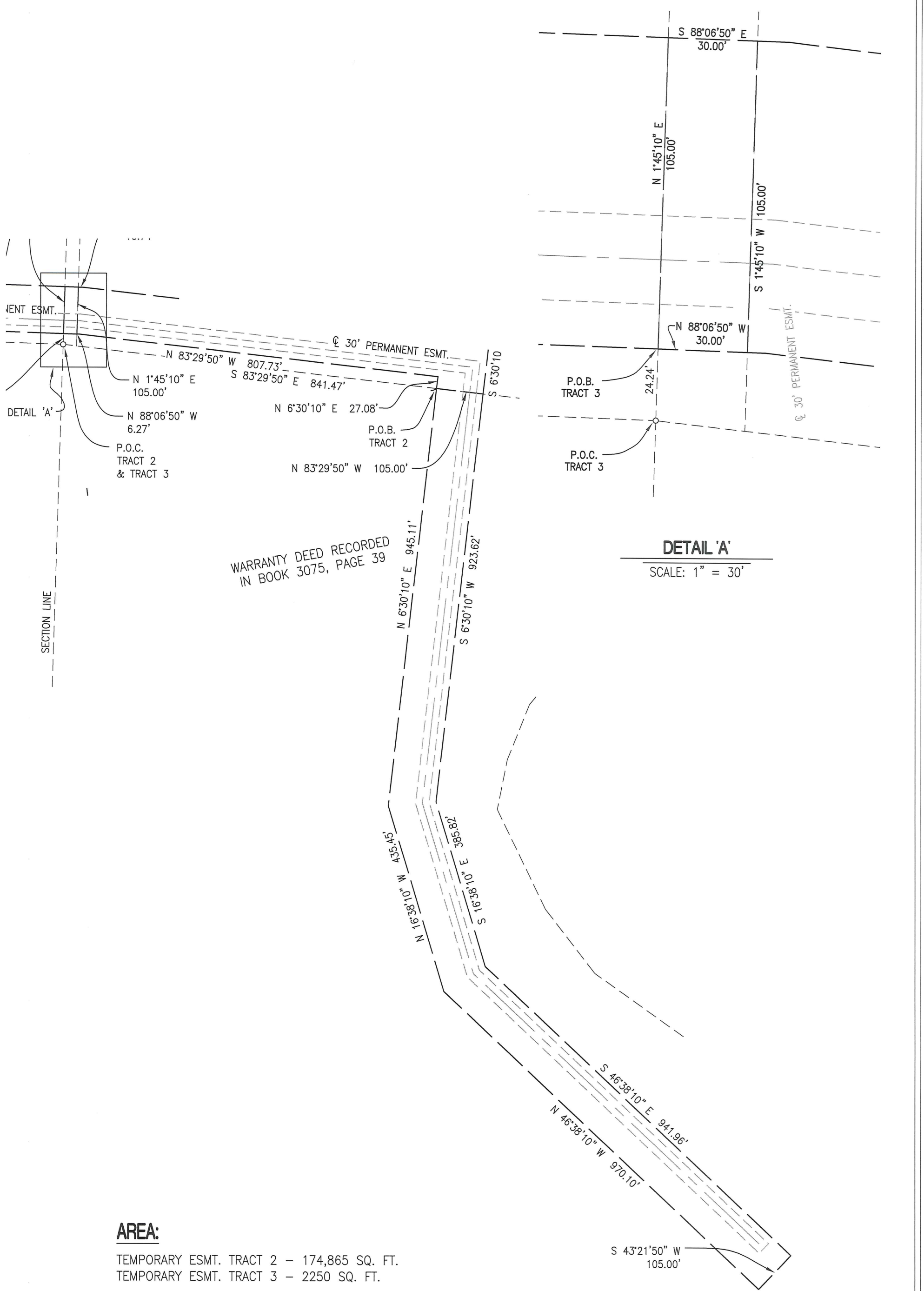
TEMPORARY CONSTRUCTION EASEMENT  
FRITZ FAMILY GIFT TRUST  
SEC. 7, T48N, R13W  
BOONE COUNTY, MISSOURI

ADDRESS:



SCALE: 1"=80'





WARRANTY DEED RECORDED  
IN BOOK 3075, PAGE 39

**DETAIL 'A'**  
SCALE: 1" = 30'

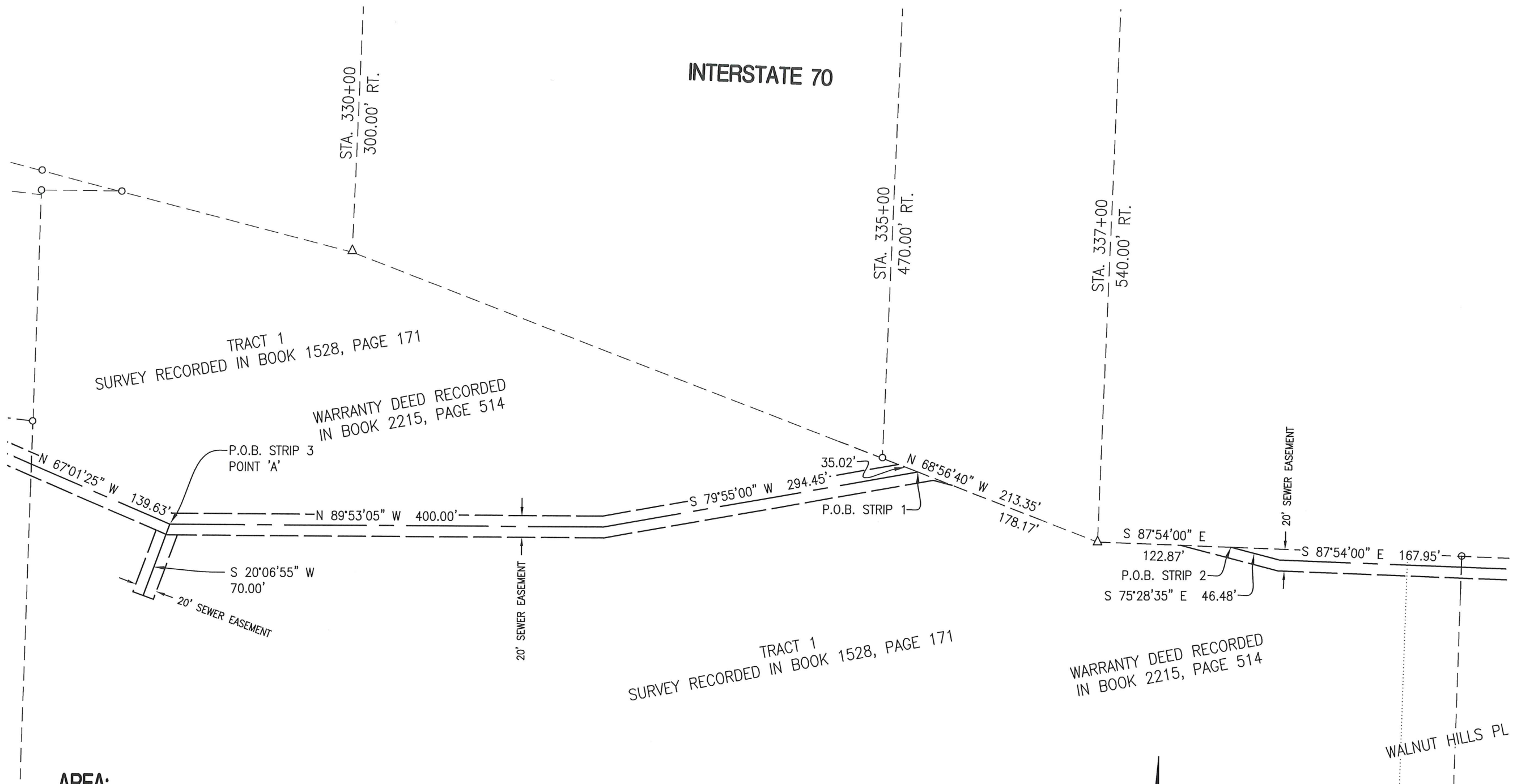
**AREA:**

TEMPORARY ESMT. TRACT 2 - 174,865 SQ. FT.  
TEMPORARY ESMT. TRACT 3 - 2250 SQ. FT.

**CROCKETT**  
ENGINEERING CONSULTANTS  
1000 W. Nifong Blvd. Building 1  
Columbia, Missouri 65203  
(573) 447-0292  
www.crockettengineering.com

CORPORATE NUMBER: 2000151304	
DATE: 3/19/2017	SCALE: 1" = 200'
PROJECT: 150196	DRAWN BY: KWF

<b>HENDERSON BRANCH SEWER</b>
TEMPORARY CONSTRUCTION EASEMENT FRITZ FAMILY GIFT TRUST SEC. 8, T48N, R13W BOONE COUNTY, MISSOURI
ADDRESS:



**AREA:**

PERMANENT ESMT. STRIP 1 - 16,695 SQ. FT.  
 PERMANENT ESMT. STRIP 2 - 4,290 SQ. FT.  
 PERMANENT ESMT. STRIP 3 - 1215 SQ. FT.

**CROCKETT**  
**ENGINEERING CONSULTANTS**

1000 W. Nifong Blvd. Building 1  
 Columbia, Missouri 65203  
 (573) 447-0292

www.crockettengineering.com

CORPORATE NUMBER:  
 2000151304

DATE:

3/19/2017

PROJECT:

150196

SCALE:

1" = 100'

DRAWN BY:

KWF

**HENDERSON BRANCH SEWER**

SEWER EASEMENT  
 ANR CAMPUS, LLC.  
 SEC. 7, T48N, R13W  
 BOONE COUNTY, MISSOURI

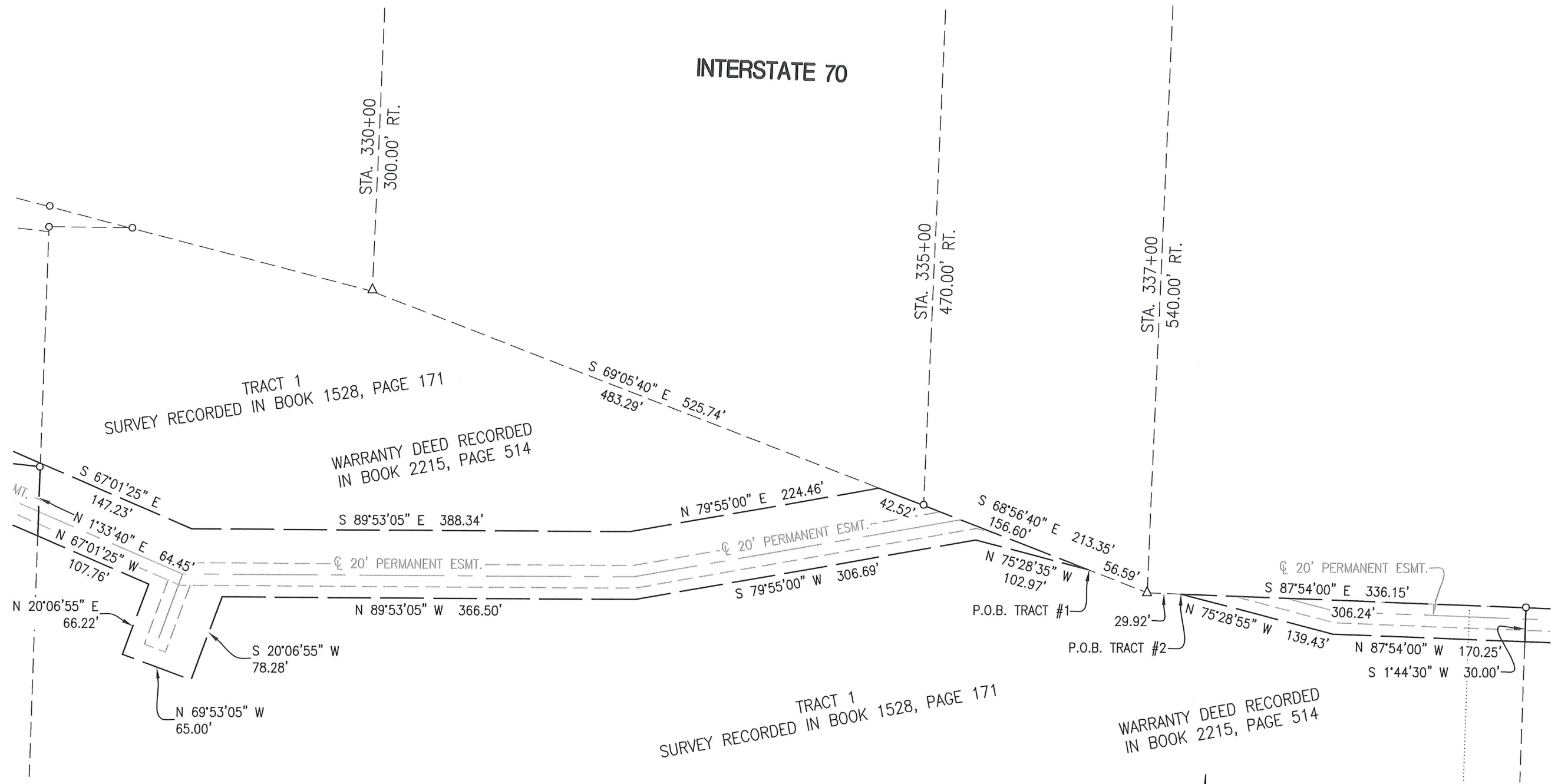
ADDRESS:



SCALE: 1"=100'



INTERSTATE 70



**AREA:**

TEMPORARY ESMT. TRACT 1 - 32,910 SQ. FT.  
 TEMPORARY ESMT. TRACT 2 - 2,860 SQ. FT.

**CROCKETT**  
**ENGINEERING CONSULTANTS**  
 1000 W. Nifong Blvd. Building 1  
 Columbia, Missouri 65203  
 (573) 447-0292  
 www.crockettengineering.com

CORPORATE NUMBER:  
 2000151304  
 DATE:  
 3/19/2017  
 PROJECT:  
 150196  
 SCALE:  
 1" = 100'  
 DRAWN BY:  
 KWF

**HENDERSON BRANCH SEWER**  
 TEMPORARY CONSTRUCTION EASEMENT  
 ANR CAMPUS, LLC.  
 SEC. 7, T48N, R13W  
 BOONE COUNTY, MISSOURI  
 ADDRESS:

