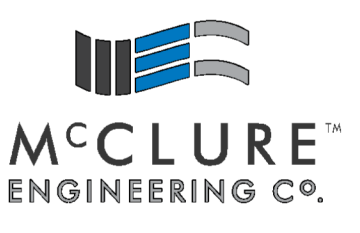


SITE OVERVIEW – OAKLAND GRAVEL ROAD SIDEWALKS  
 BLUE RIDGE ROAD TO EDRIS DRIVE

No.	Date	By	Revision

OAKLAND GRAVEL  
 RD. SW – BLUE  
 RIDGE TO EDRIS

City of Columbia, Missouri  
 Department of Public Works



building strong communities.  
 1901 Pennsylvania Drive  
 Columbia, MO 65202  
 P 573-814-1568  
 F 573-814-1128  
 MISSOURI CERTIFICATE OF  
 AUTHORITY NO. E-2006023253  
 EXPIRES: DECEMBER 31, 2018

Thomas A. Trabue  
 MO-E 22832  
 Expires: 12-31-2018

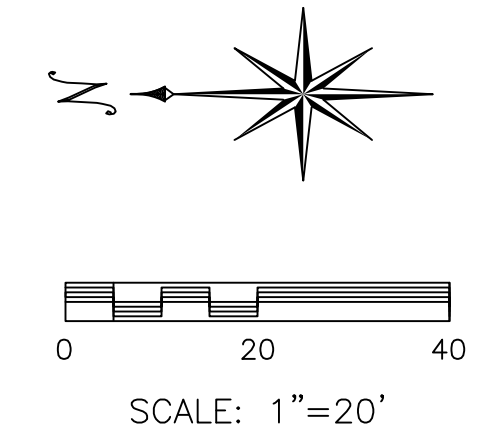
File No.	80816103
Scale:	As Shown
Date:	X/XX/XX
Des.	K.L.H.
Dwn.	G.R.K.
Chk.	T.A.T.

Sheet  
 C101

p:\cadd - structure\80816103-pp -01.pw - oakland gravel rd - oakland gravel display.dwg



NORTH END OF PROJECT SITE



No.	Date	By	Revision

OAKLAND GRAVEL  
RD. SW - BLUE  
RIDGE TO EDRLS

City of Columbia, Missouri  
Department of Public Works

**McCLURE**  
ENGINEERING CO.  
building strong communities.  
1901 Pennsylvania Drive  
Columbia, MO 65202  
P 573-814-1598  
F 573-814-1128  
MISSOURI CERTIFICATE OF  
AUTHORITY NO. E-2006023253  
EXPIRES: DECEMBER 31, 2018

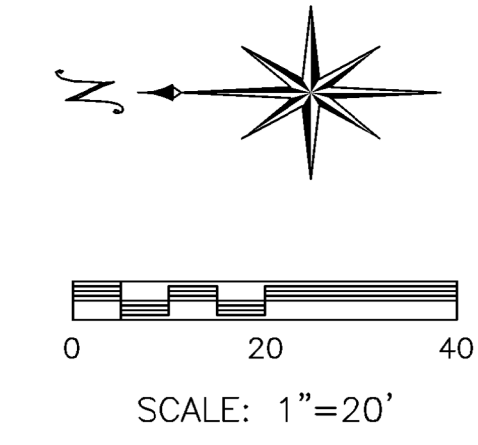
Thomas A. Trabue  
MO-E 22832  
Expires: 12-31-2018  
File No. 80816103  
Scale: As Shown  
Date: X/XX/XX  
Des. K.L.H.  
Dwn. G.R.K.  
Chk. T.A.T.

Sheet  
C102

p:\c0816103-00 -01 pr - oakland gravel sw\c0816103-oakland gravel display.dwg



SOUTH END OF PROJECT SITE



No.	Date	By	Revision

OAKLAND GRAVEL  
RD. SW - BLUE  
RIDGE TO EDRIS

City of Columbia, Missouri  
Department of Public Works

**McCLURE**  
ENGINEERING CO.  
building strong communities.  
1901 Pennsylvania Drive  
Columbia, MO 65202  
F 573-814-1568  
F 573-814-1128  
MISSOURI CERTIFICATE OF  
AUTHORITY NO. E-2006023253  
EXPIRES: DECEMBER 31, 2018

Thomas A. Trabue  
MO-E 22832  
Expires: 12-31-2018  
File No. 80816103  
Scale: As Shown  
Date: X/XX/XX  
Des. K.L.H.  
Dwn. G.R.K.  
Chk. T.A.T.

Sheet  
C103

p:\cadd - structure\80816103-pp -01.prn - oakland gravel.mxd