



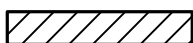
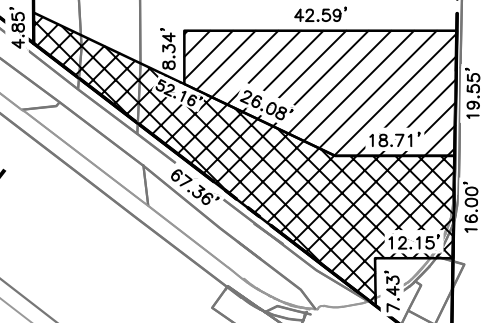
OWNER:
THIRD STREET
PROPERTIES LLC
 W.D. BK. 3886, PG. 90
 16-314-00-12-004.00 01

805 Jefferson St

403 W. Sexton Rd

Jefferson Street

Sexton Road



Temporary Construction Easement



Permanent Drainage Easement



Sexton-McBaine Stormwater
Improvements - Easements

403 W. Sexton Rd / 805 Jefferson St

Scale: 1"=30'

Drawn: J.K.M

Date: 6/26/24