

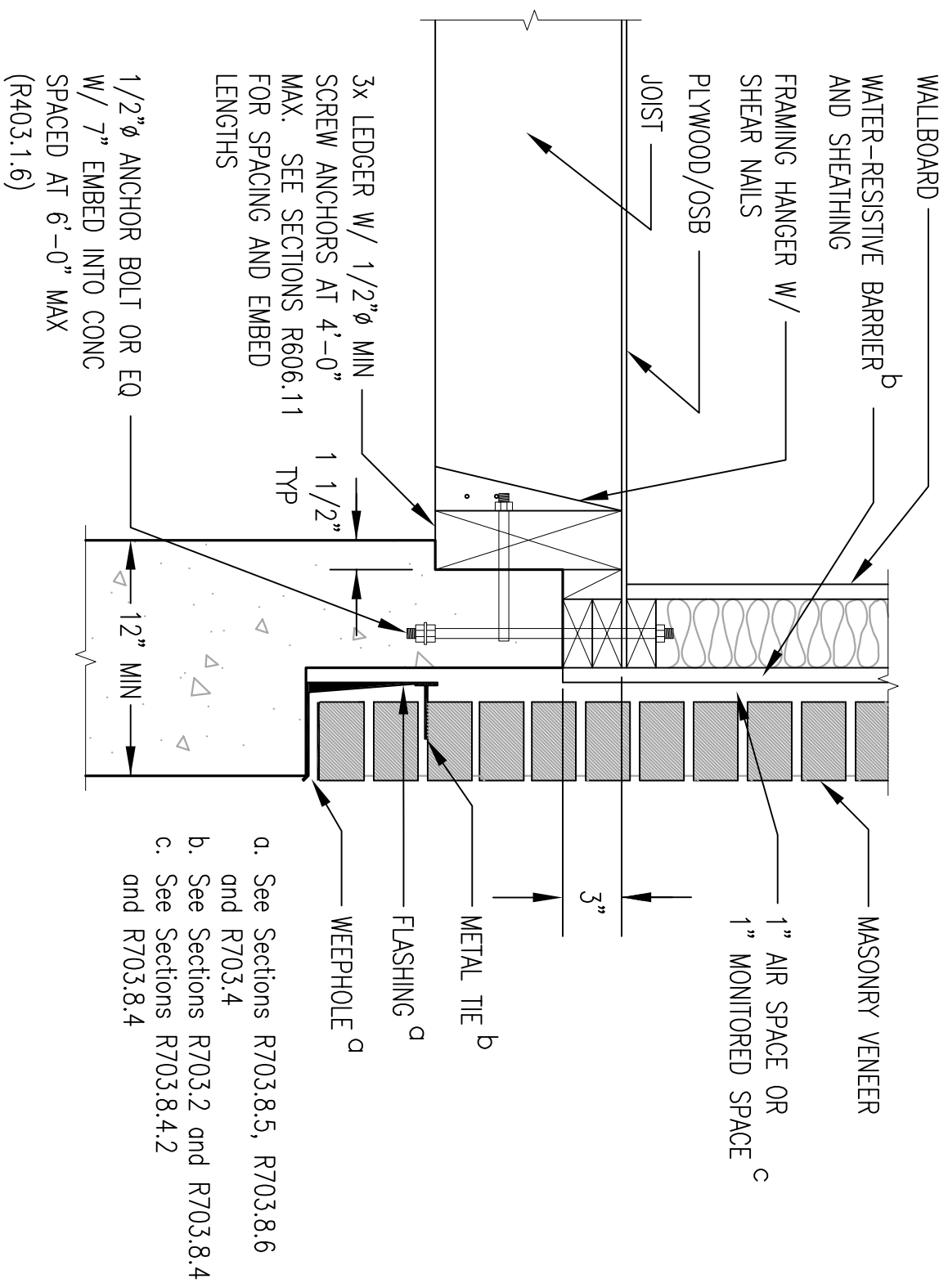
# ALTERNATIVE 1.1

## Joist Perpendicular to Wall w/ Brick

2015 IRC

Section R403.1.6 Foundation Anchorage  
Section R404 Foundations and Retaining Walls  
Section R404.1 Concrete and Masonry Foundation Walls

\*This figure is provided as an example. This in not an all inclusive list of code requirements.



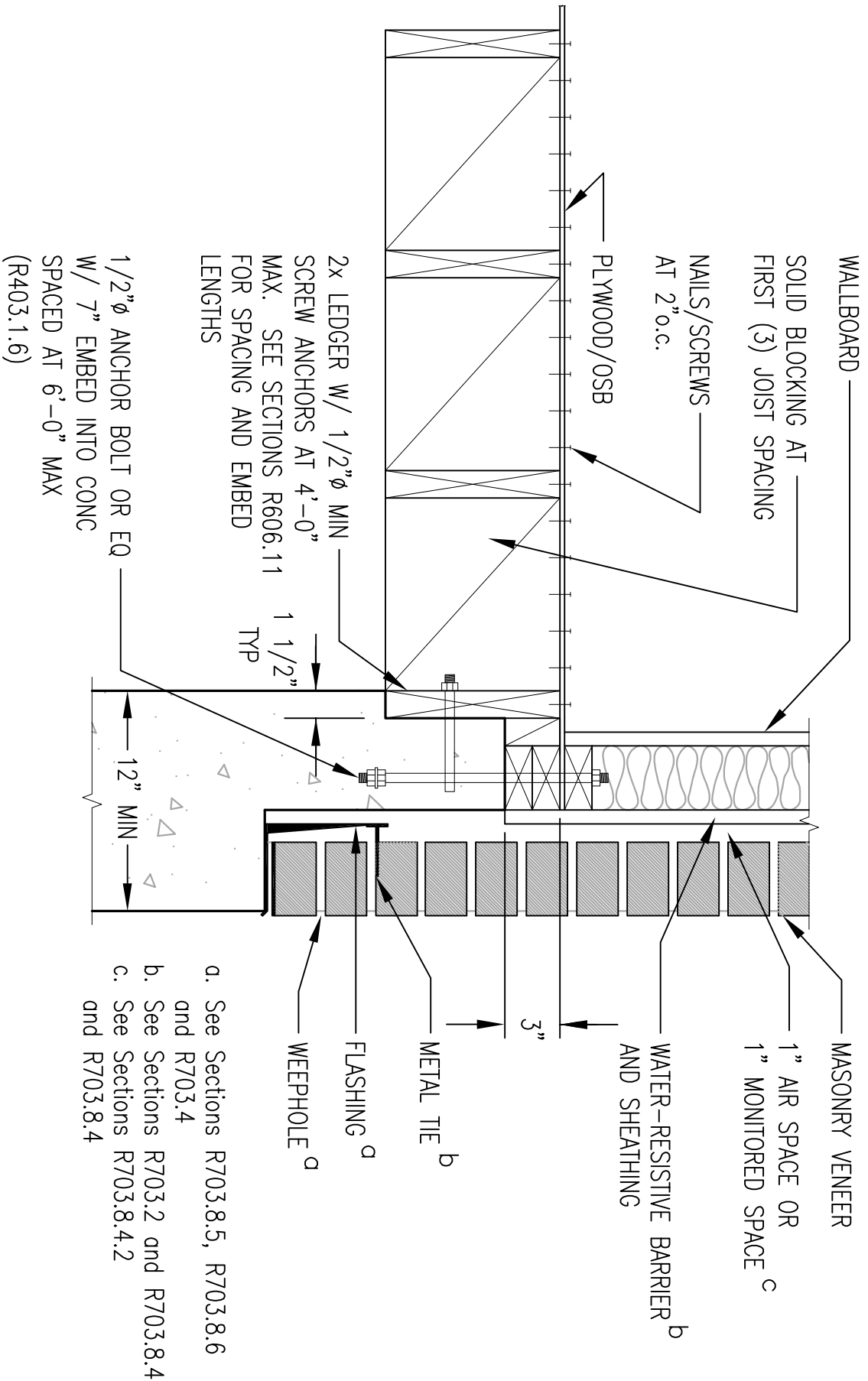
# ALTERNATIVE 1.2

## Joist Parallel to Wall w/ Brick

2015 IRC

Section R403.1.6 Foundation Anchorage  
 Section R404 Foundations and Retaining Walls  
 Section R404.1 Concrete and Masonry Foundation Walls

\*This figure is provided as an example. This in not an all inclusive list of code requirements.



- a. See Sections R703.8.5, R703.8.6 and R703.4
- b. See Sections R703.2 and R703.8.4
- c. See Sections R703.8.4.2 and R703.8.4
- d. See Sections R703.8.5, R703.8.6 and R703.4

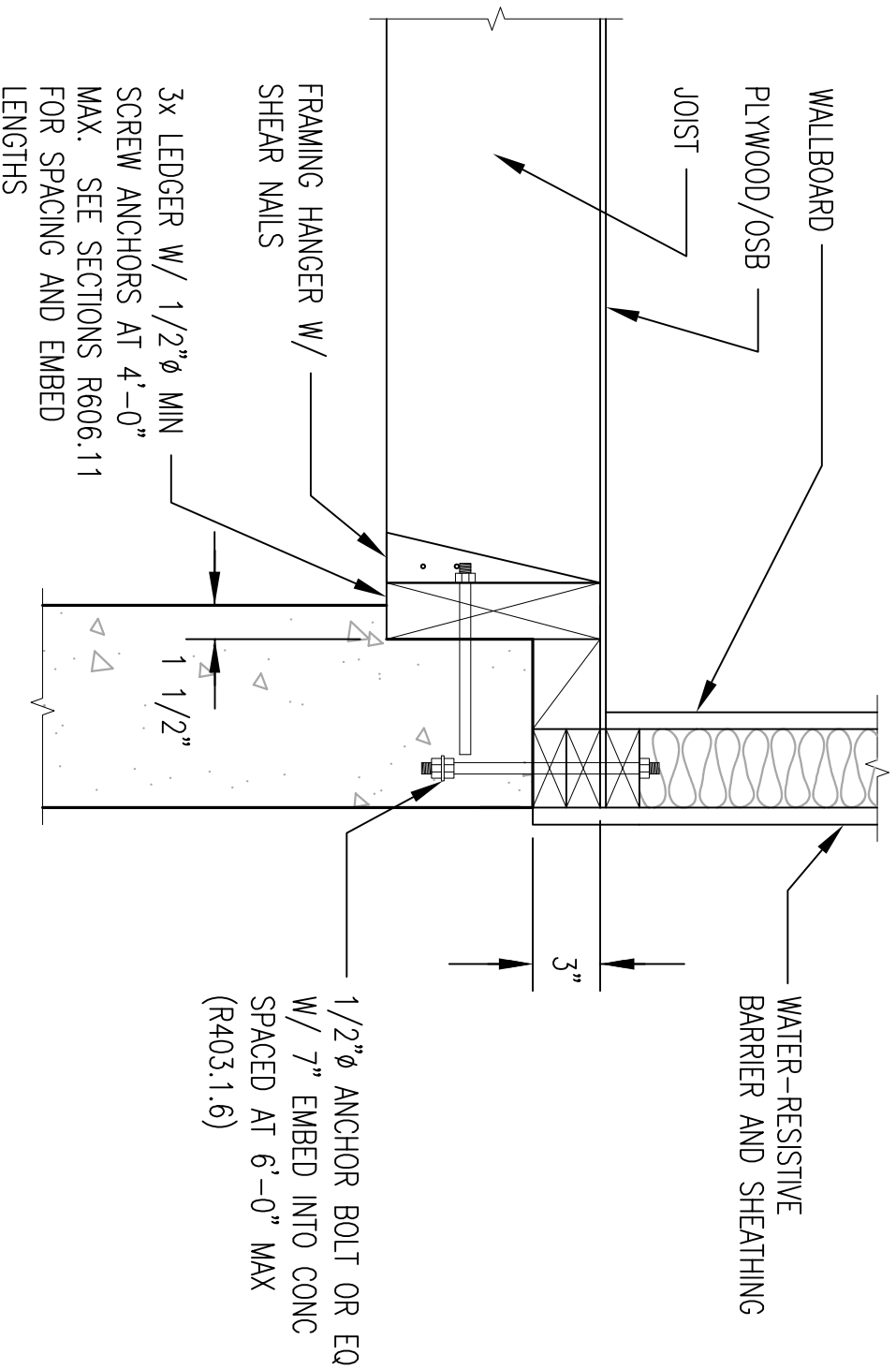
# ALTERNATIVE 1.3

## Joist Perpendicular to Wall W/O Brick

2015 IRC

Section R403.1.6 Foundation Anchorage  
Section R404 Foundations and Retaining Walls  
Section R404.1 Concrete and Masonry Foundation Walls

\* This figure is provided as an example. This in not an all inclusive list of code requirements.



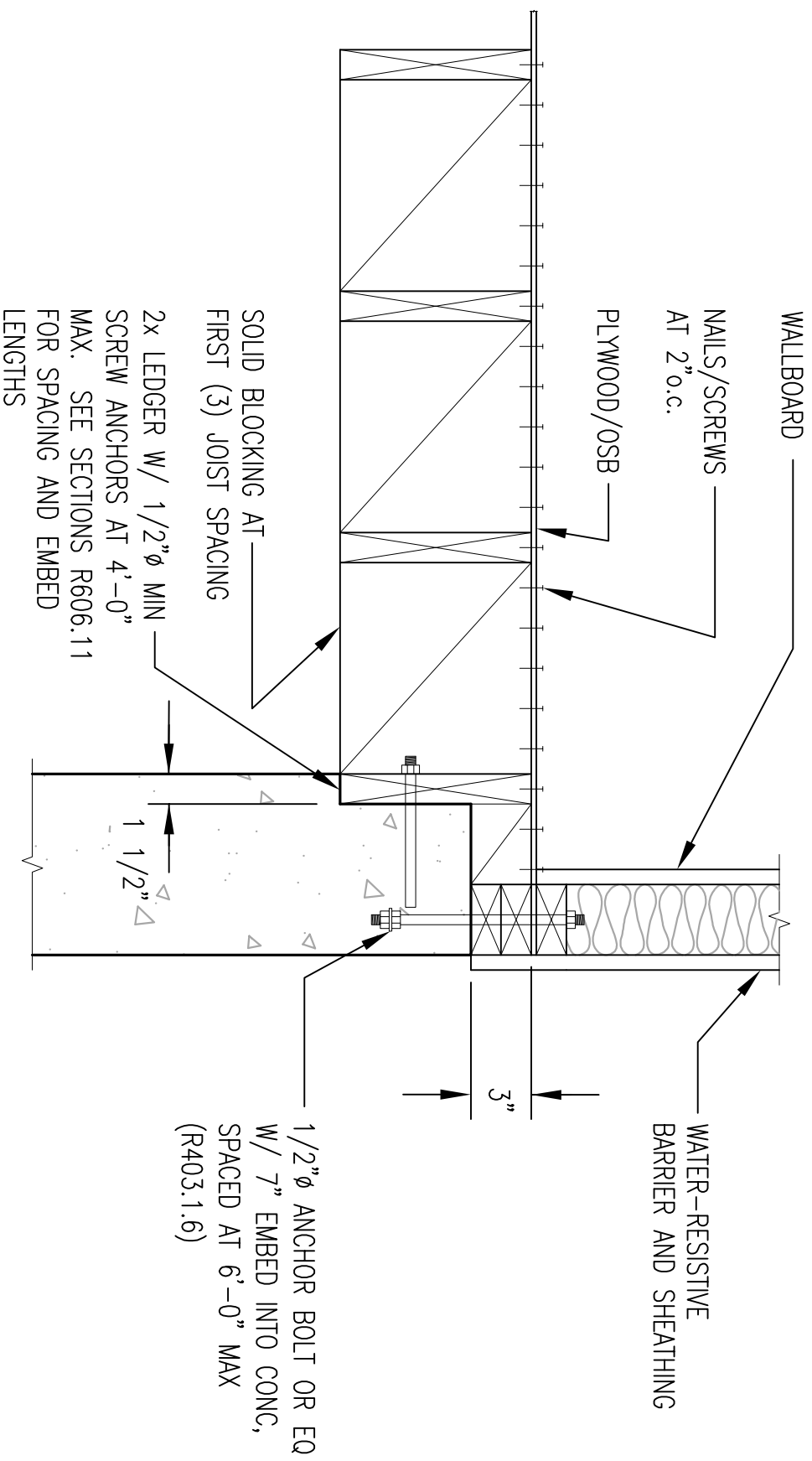
# ALTERNATIVE 1.4

## Joist Parallel to Wall W/O Brick

2015 IRC

Section R403.1.6 Foundation Anchorage  
Section R404 Foundations and Retaining Walls  
Section R404.1 Concrete and Masonry Foundation Walls

\* This figure is provided as an example. This in not an all inclusive list of code requirements.



# ALTERNATIVE 2.1

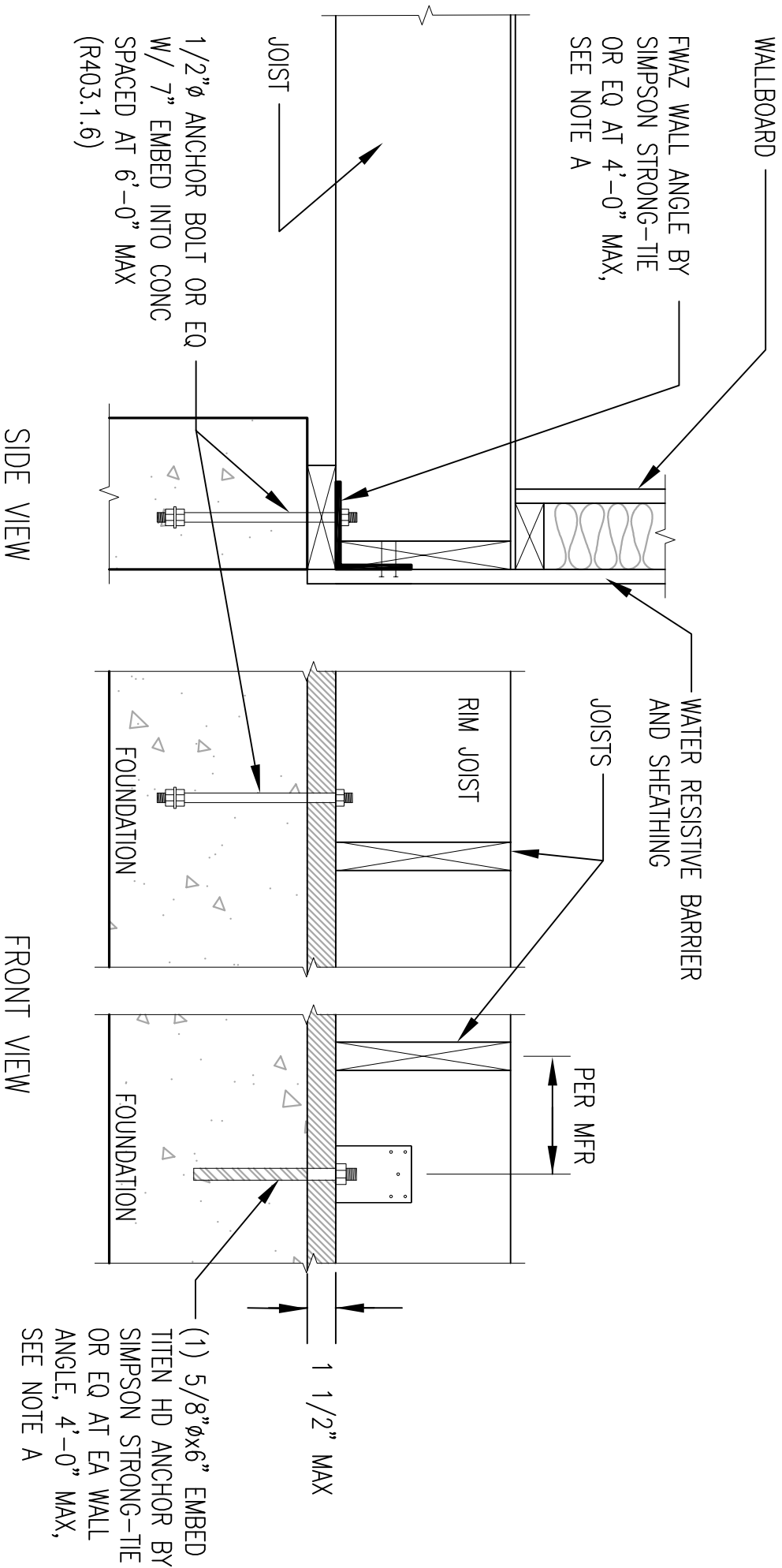
## Joist Perpendicular to Wall

2015 IRC

Section R403.1.6 Foundation Anchorage  
Section R404 Foundations and Retaining Walls  
Section R404.1 Concrete and Masonry Foundation Walls

\* This figure is provided as an example. This in not an all inclusive list of code requirements.

NOTE A: Refer to the manufacturers tables for required spacing and placement of FWAZ wall angles



# ALTERNATIVE 2.2

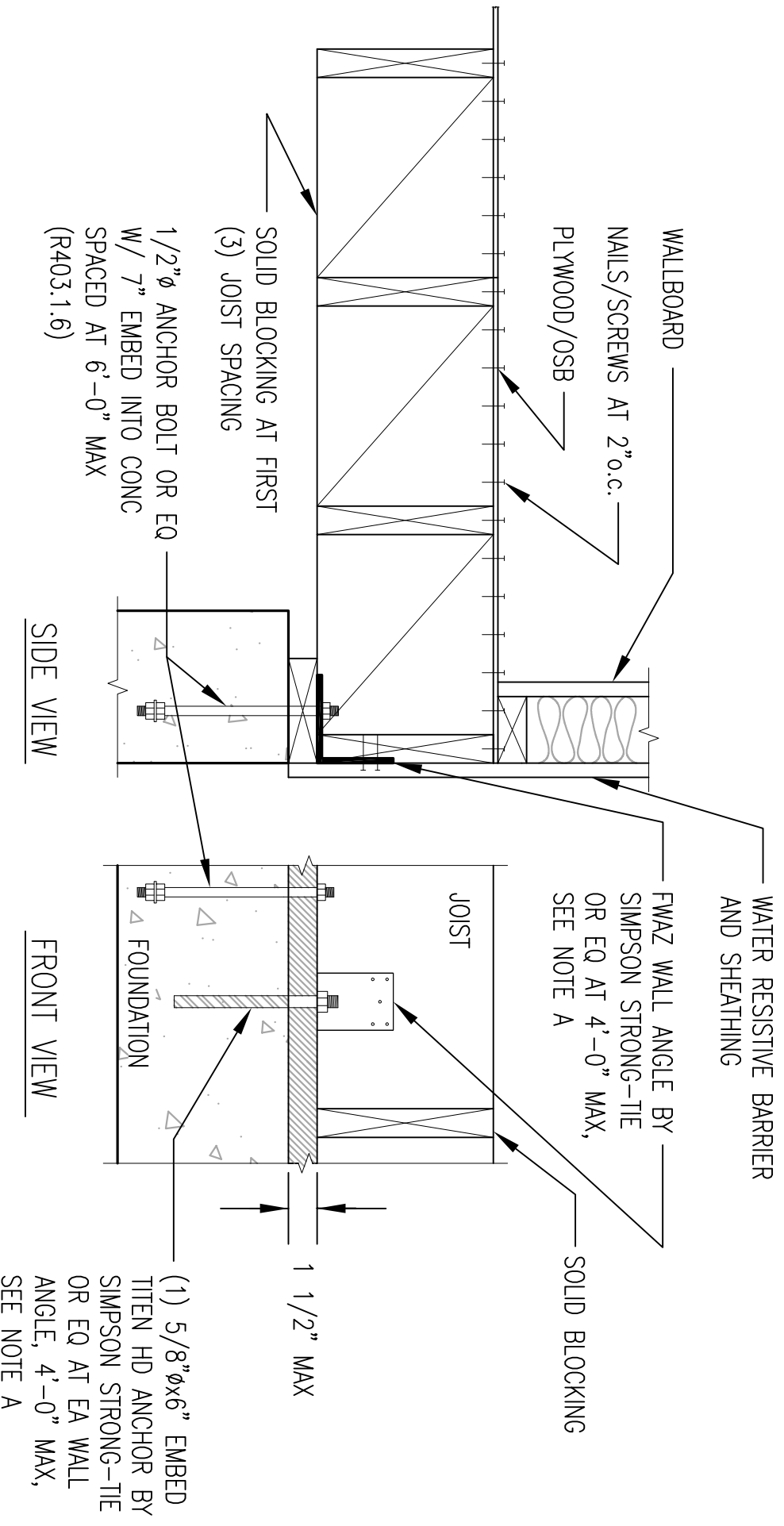
## Joist Parallel to Wall

2015 IRC

Section R403.1.6 Foundation Anchorage  
 Section R404 Foundations and Retaining Walls  
 Section R404.1 Concrete and Masonry Foundation Walls

\* This figure is provided as an example. This is not an all inclusive list of code requirements.

NOTE A: Refer to the manufacturers tables for required spacing and placement of FWAZ wall angles



(1) 5/8"  $\phi$  x 6" EMBED  
 TITEN HD ANCHOR BY  
 SIMPSON STRONG-TIE  
 OR EQ AT EA WALL  
 ANGLE, 4'-0" MAX.,  
 SEE NOTE A

# ALTERNATIVE 3.1

## Joist Perpendicular to Wall W/O Brick

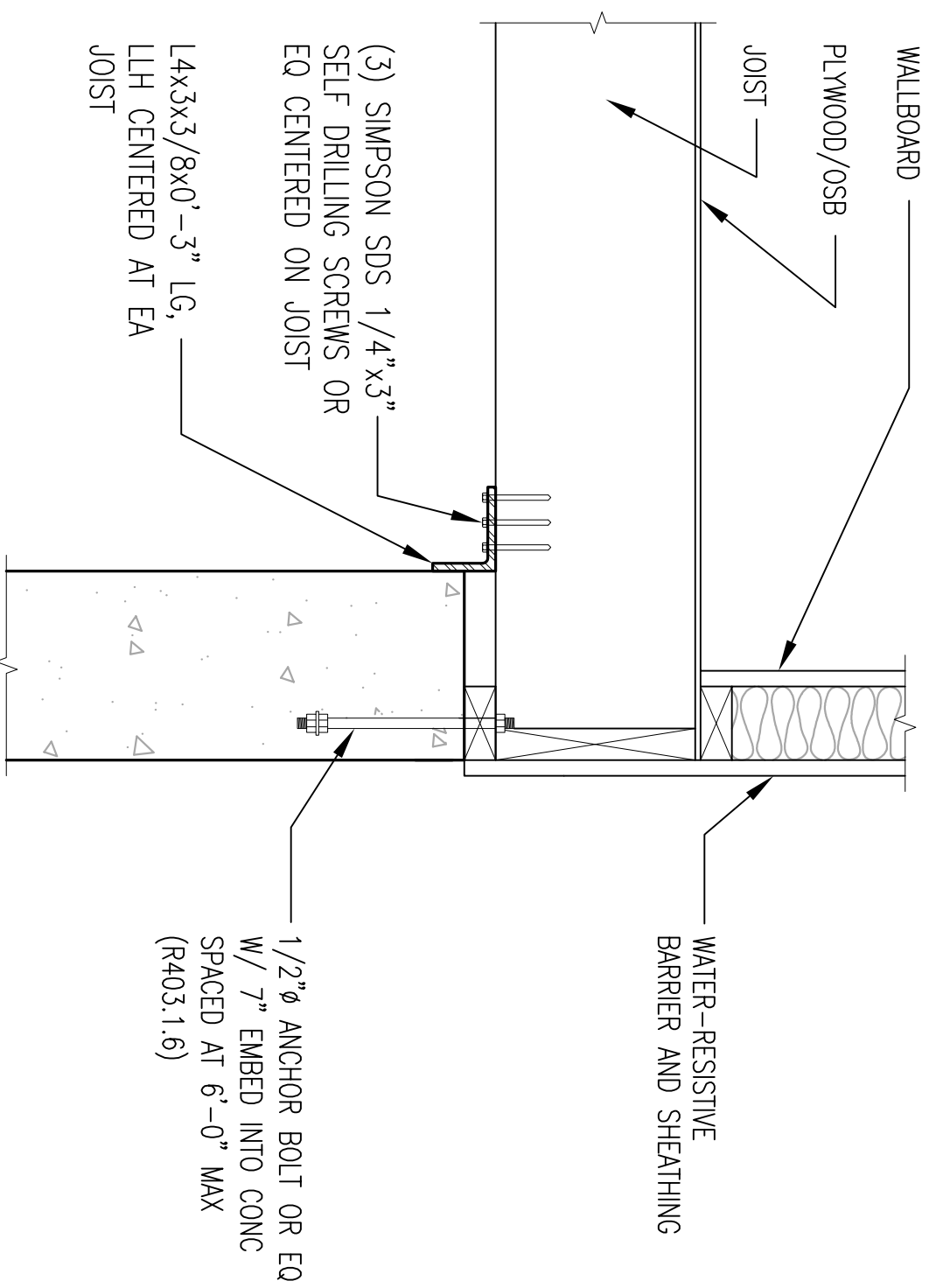
2015 IRC

Section R403.1.6 Foundation Anchorage

Section R404 Foundations and Retaining Walls

Section R404.1 Concrete and Masonry Foundation Walls

\* This figure is provided as an example. This in not an all inclusive list of code requirements.



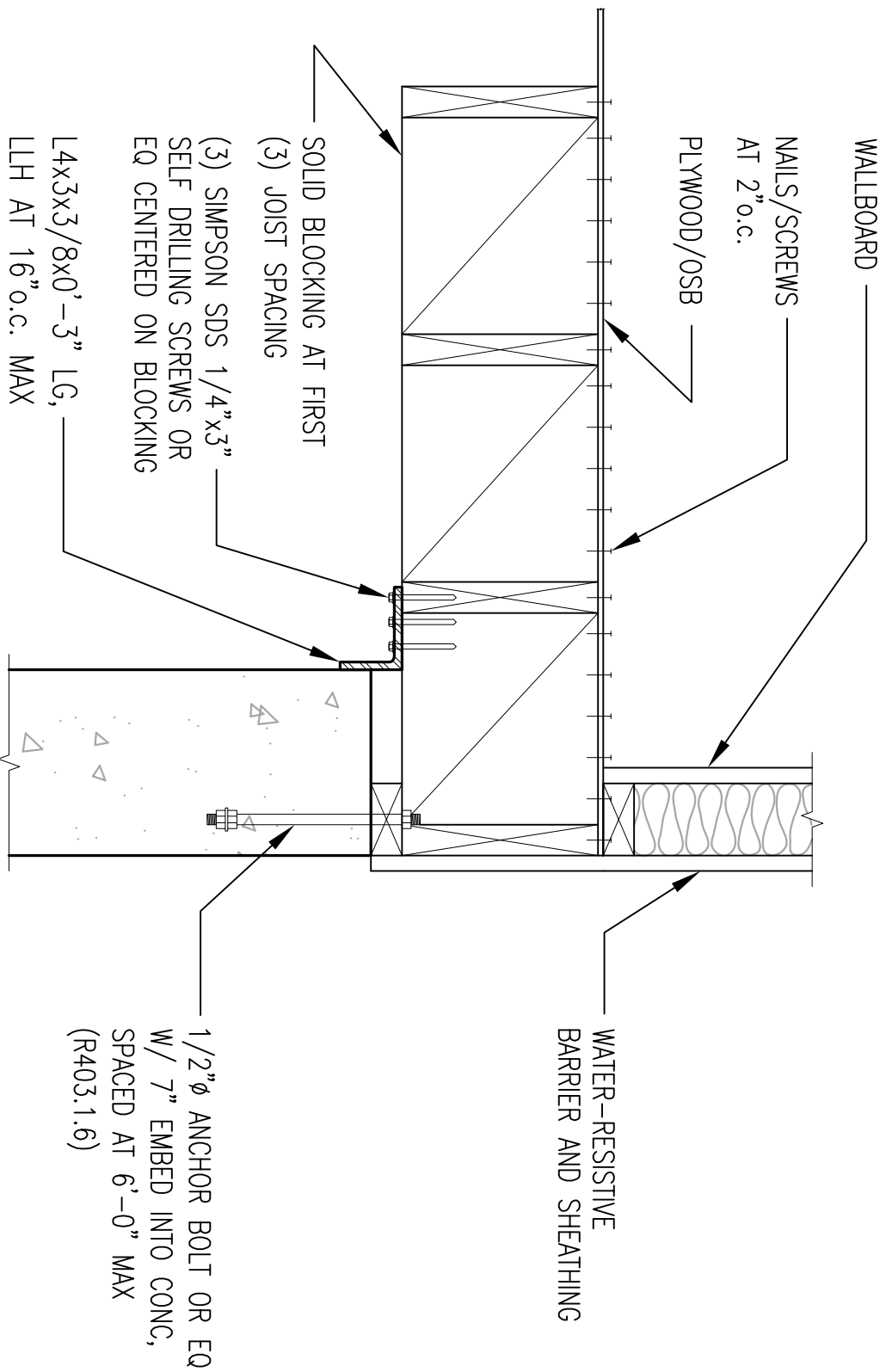
# ALTERNATIVE 3.2

## Joist Parallel to Wall W/O Brick

2015 IRC

Section R403.1.6 Foundation Anchorage  
Section R404 Foundations and Retaining Walls  
Section R404.1 Concrete and Masonry Foundation Walls

\* This figure is provided as an example. This in not an all inclusive list of code requirements.



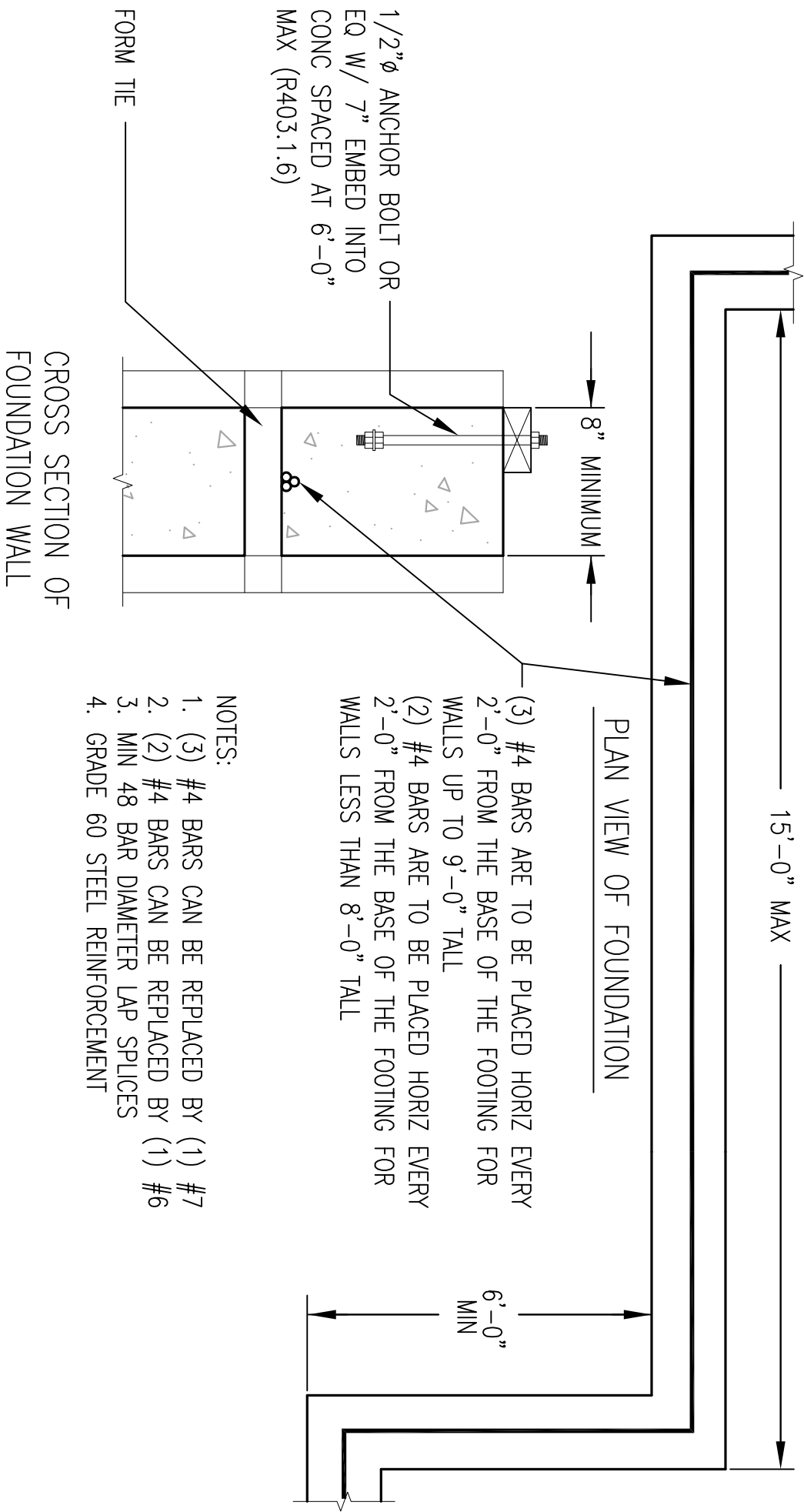


# ALTERNATIVE 4

2015 IRC

Section R403.1.6 Foundation Anchorage  
Section R404 Foundations and Retaining Walls  
Section R404.1 Concrete and Masonry Foundation Walls

\* This figure is provided as an example. This in not an all inclusive list of code requirements.



- NOTES:
1. (3) #4 BARS CAN BE REPLACED BY (1) #7
  2. (2) #4 BARS CAN BE REPLACED BY (1) #6
  3. MIN 48 BAR DIAMETER LAP SPLICES
  4. GRADE 60 STEEL REINFORCEMENT

# FOUNDATION DRAINAGE

## FIGURE R405.1

2015 IRC

Section R405 Foundation Drainage

Section R406 Foundation Waterproofing and Dampproofing

- \* This figure is provided as an example. This is not an all inclusive list of code requirements.
- \*\* Either a filter fabric sock around draitile or filter fabric on the gravel shall be required, not both unless desired by the contractor.

