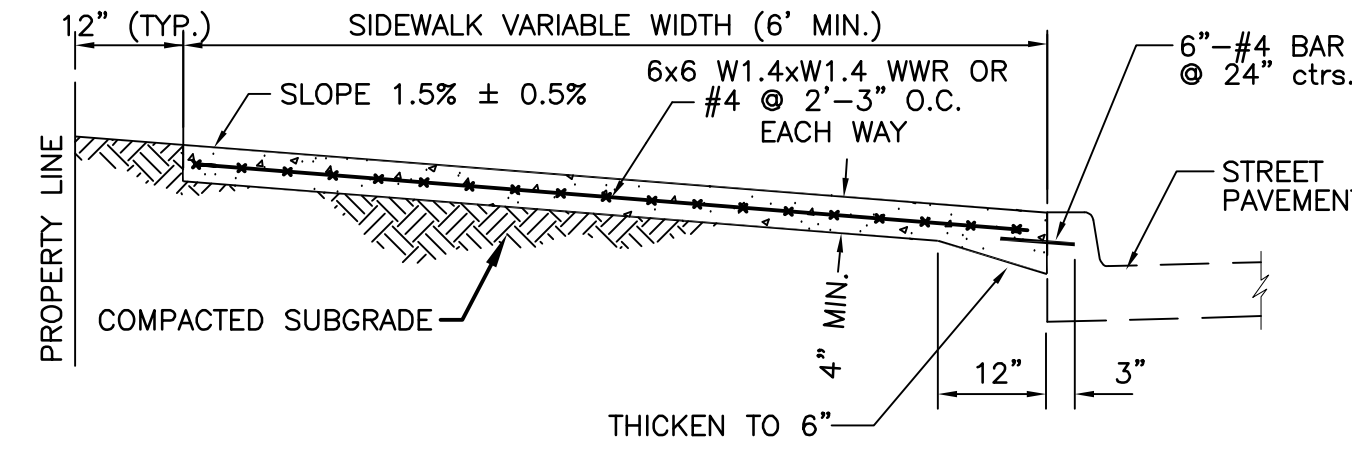


SIDEWALK WITH GRASS PARKWAY

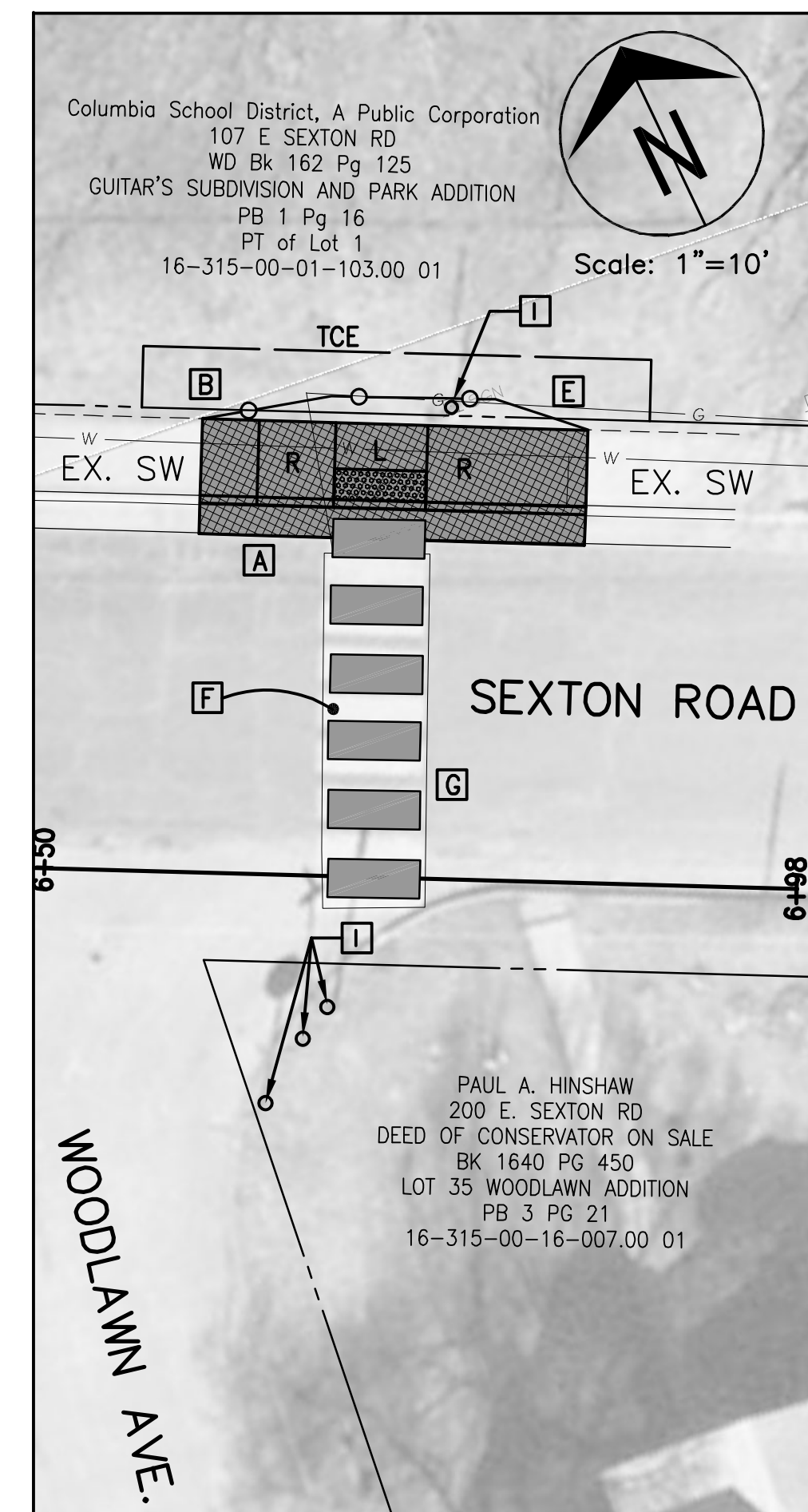
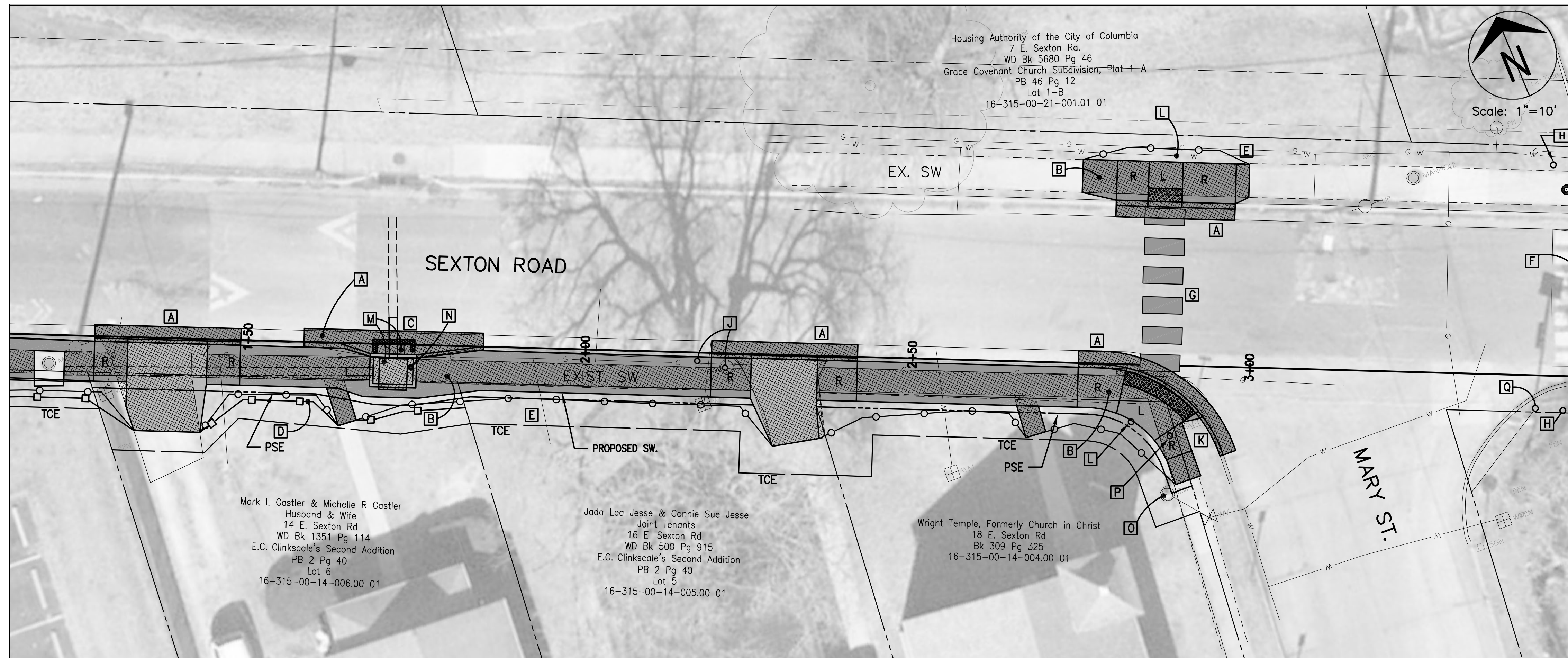
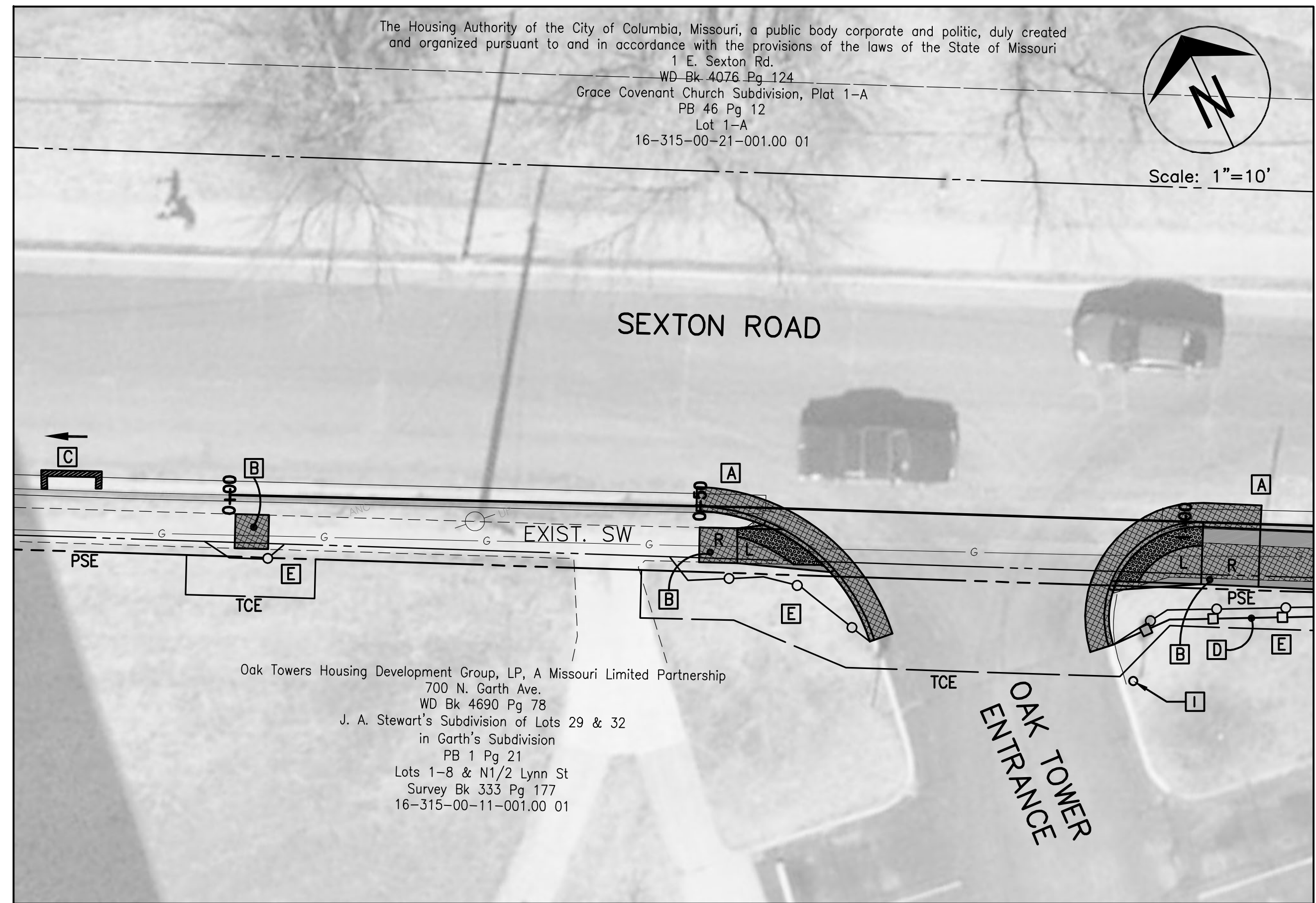


SIDEWALK AT BACK OF CURB

ALL TREES, BUSHES AND SHRUBS LOCATED WITHIN THE GRADING LIMITS CAN BE REMOVED ONLY IF NECESSARY TO FACILITATE CONSTRUCTION. CHECK THE PLAN SHEETS FOR TREES AND SHRUBS SPECIFICALLY NOTED EITHER "DO NOT DISTURB" OR MARKED WITH A BOLD "X" TO BE REMOVED. THE CONTRACTOR SHALL USE CARE TO MINIMIZE THE IMPACT TO AND THE REMOVAL OF TREES. THE CONSTRUCTION INSPECTOR SHALL VERIFY ALL REMOVALS.

CONTRACTOR TO VERIFY UNDERGROUND UTILITIES DEPTH & LOCATION

- A** SAWCUT & REMOVE EXISTING CURB & GUTTER AND CONSTRUCT 2'-6" CURB & GUTTER PER DETAIL AND PLAN DIMENSIONS.
- B** SAWCUT & REMOVE EXISTING SIDEWALK AND CONSTRUCT 4" SIDEWALK AND 6" ADA RAMP/LANDING & DETECTABLE WARNING PER DETAIL AND PLAN DIMENSIONS.
- C** INSTALL GUTTER BUDDY PER PLAN.
- D** INSTALL SILT FENCE AS NEEDED. MAINTAIN SILT FENCE UNTIL DISTURBED AREAS ARE COMPLETELY STABILIZED.
- E** SEED & MULCH ALL DISTURBED AREAS.
- F** REMOVE EXISTING PEDESTRIAN CROSSING MARKINGS.
- G** INSTALL PEDESTRIAN CROSSING MARKINGS.
- H** RELOCATE EXISTING SCHOOL CROSSING SIGNS.
- I** SIGN REMAIN IN PLACE.
- J** EXIST. UTILITY POLE AND SIGN REMAIN IN PLACE.
- K** RELOCATE EXIST. SIGN IF NEEDED.
- L** RELOCATED EXIST. SCHOOL CROSSING SIGN LOCATION.
- M** REMOVE EXIST. INLET AND JUNCTION BOX.
- N** INSTALL A 6'X4' TYPE M CURB INLET PER CITY DETAIL. ADD 30" CMP AS REQUIRED. INLET TOP=733.76, EX. 30" CMP FL IN (NORTH) = 729.80, EX. 30" CMP FL OUT (WEST) = 729.50
- O** EXIST. FIRE HYDRANT REMAIN IN PLACE.
- P** ADJUST EX. GAS VALVE TOP.
- Q** EXIST. SPEED LIMIT SIGN ASSEMBLY REMAIN IN PLACE.



SEXTON ROAD SIDEWALK  
Plan Sheet

Mission  
Provide safe, sustainable infrastructure that promotes positive communities.  
701 East Broadway  
P.O. Box 6015  
Columbia, MO 65205  
(673) 875-2489



Shane Steven Creech  
Registered Professional Engineer  
PE-2007011061

File No.	00821
Scale:	As Shown
Date:	12/15/2022
Des.	A.N.H.
Dwn.	T.L.W
Chk.	A.A.A

Revision	By	Date	No.