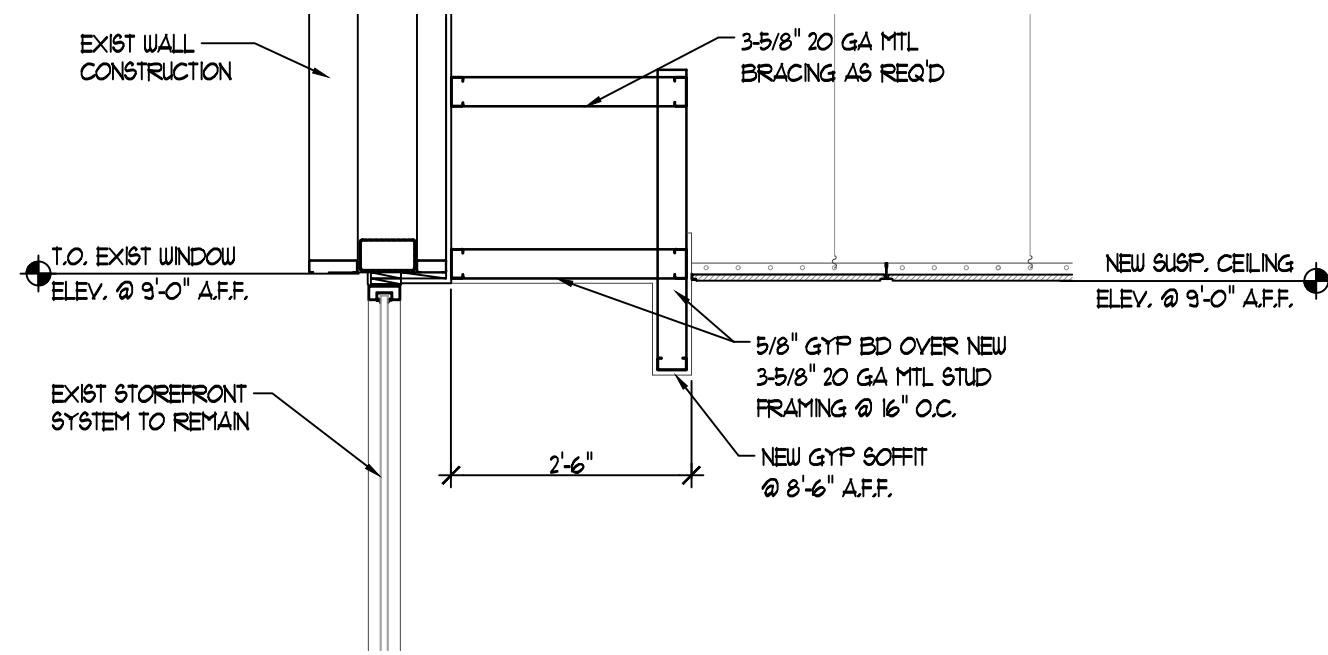


13 CLINIC WALL SECTION
SCALE: 1/2"=1'-0"



12 DOOR SECTION
SCALE: 1/2"=1'-0"



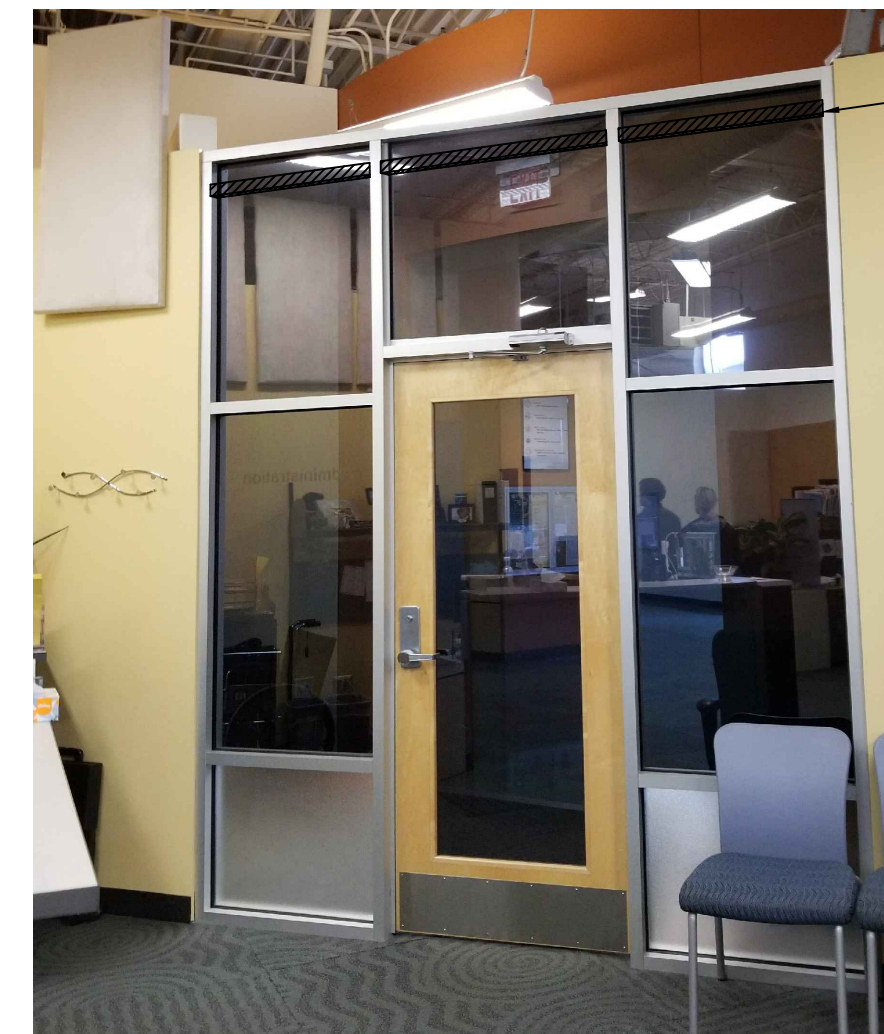
11 EXIST POLYCARBONATE
SCALE: NTS
DEMO POLYCARBONATE WALL
- INSTALL NEW 5/8" GYP. BD OVER EXIST METAL FRAMING FOR SUSP. CEILING ATTACHMENT
- SEE 4/44.0



10 EXIST DUCWORK
SCALE: NTS
MECH. DUCT TO REMAIN
- INSTALL NEW 5/8" GYP. BD OVER NEW 3-5/8" METAL FRAMING FOR SUSP. CEILING ATTACHMENT



9 EXIST TYP. STOREFRONT
SCALE: NTS



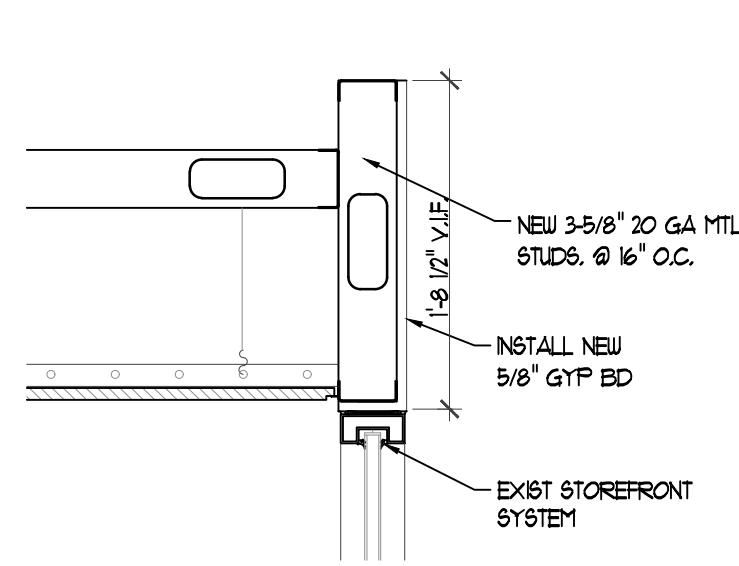
8 EXIST STOREFRONT
SCALE: NTS



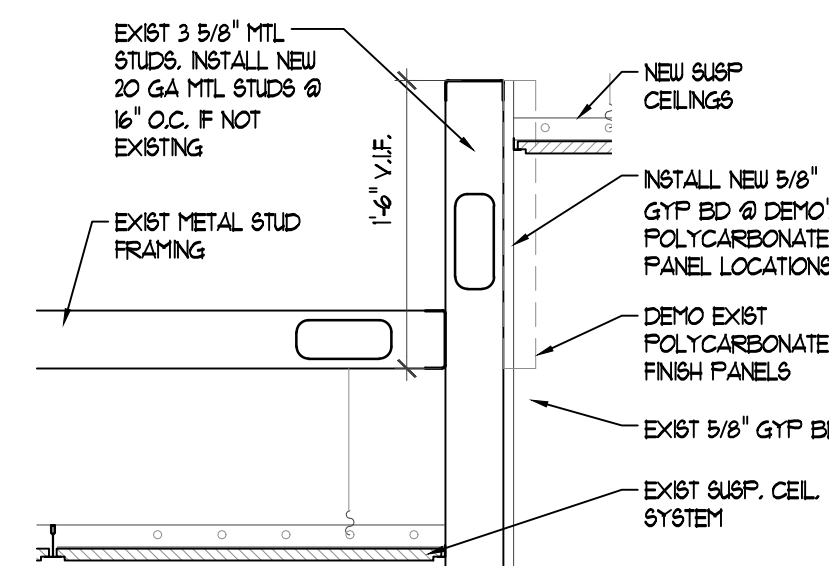
7 EXIST LIGHTBOXES TYP.
SCALE: NTS
DEMO POLYCARBONATE WALL
- INSTALL NEW 5/8" GYP. BD OVER EXIST METAL FRAMING FOR SUSP. CEILING ATTACHMENT



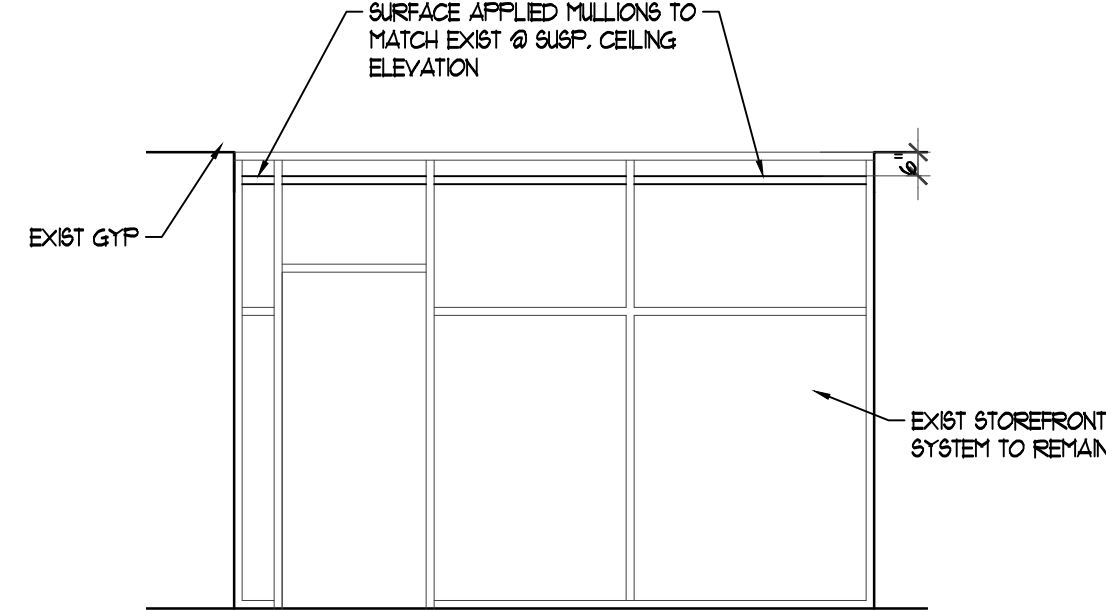
6 EXIST POLYCARBONATE WALL
SCALE: NTS
DEMO POLYCARBONATE WALL
- INSTALL NEW 5/8" GYP. BD OVER EXIST METAL FRAMING FOR SUSP. CEILING ATTACHMENT



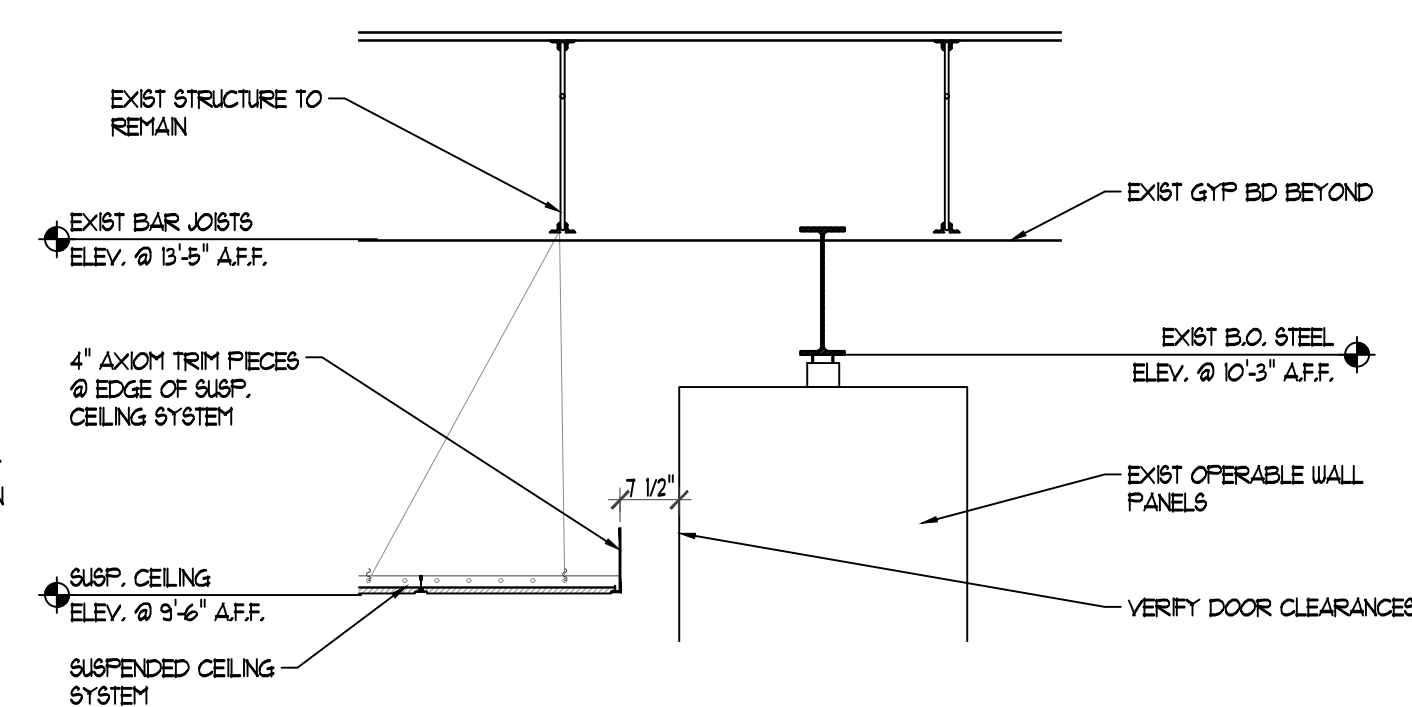
5 WALL DETAIL
SCALE: 1"=1'-0"



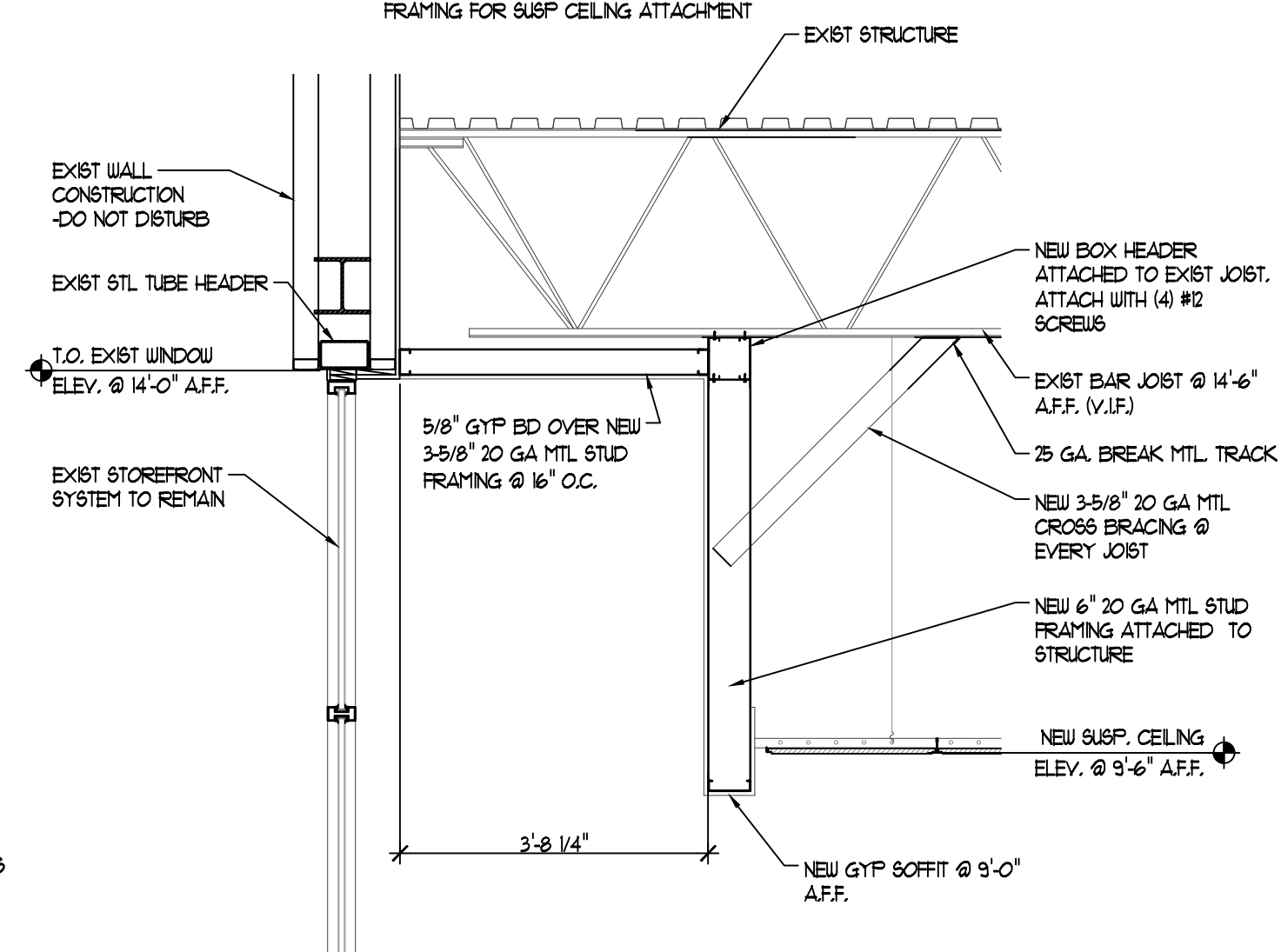
4 WALL DETAIL
SCALE: 1"=1'-0"



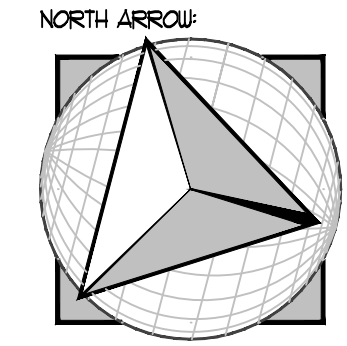
3 STOREFRONT SYSTEM ELEV.
SCALE: 1/4"=1'-0"



2 ALT BID DETAIL @ CONF. ROOM
SCALE: 1/2"=1'-0"

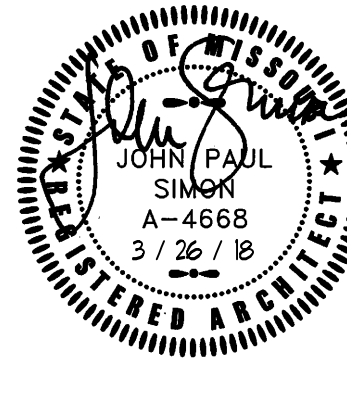


1 WINDOW SECTION
SCALE: 1/2"=1'-0"



THIS DOCUMENT IS THE PROPERTY OF THE ARCHITECT AND MAY NOT BE REPRODUCED

SIMON ASSOCIATES INC.
ARCHITECTURE
210 Park Avenue Columbia, Missouri
Phone: 573-574-1810 Fax: 573-495-0887



COLUMBIA HEALTH DEPT. CEILING RENOVATION
1005 W WORLEY ST
COLUMBIA, MO

REVISIONS:



DATE ISSUED: 3/26/18