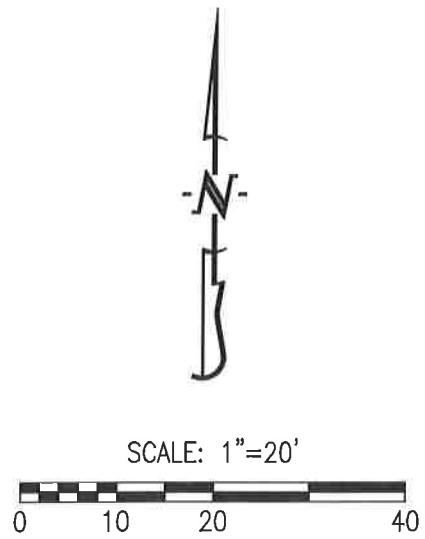


# COUNTRY GARDENS LOT 1

UTILITY EASEMENT VACATION EXHIBIT  
APRIL 26, 2016



FAIRWAY DRIVE

(50' R/W)

N 0°44'05"E 90.00'

AREA TO BE VACATED

S 88°13'40"E 139.02'

108.90'

30.12'x

EXISTING 10' UTILITY EASEMENT

WARRANTY DEED RECORDED IN BOOK 1617, PAGE 609

1

COUNTRY ACRES RECORDED IN PLAT BOOK 5, PAGE 47

N 88°13'40"W 74.76'

N 75°48'05"W 65.00'

S 1°18'15"W 103.98'

COUNTRY LANE

(50' R/W)

PREPARED BY:

**CROCKETT**

ENGINEERING CONSULTANTS

2608 North Stadium Boulevard  
Columbia, Missouri 65202  
(573) 447-0292

www.crockettengineering.com