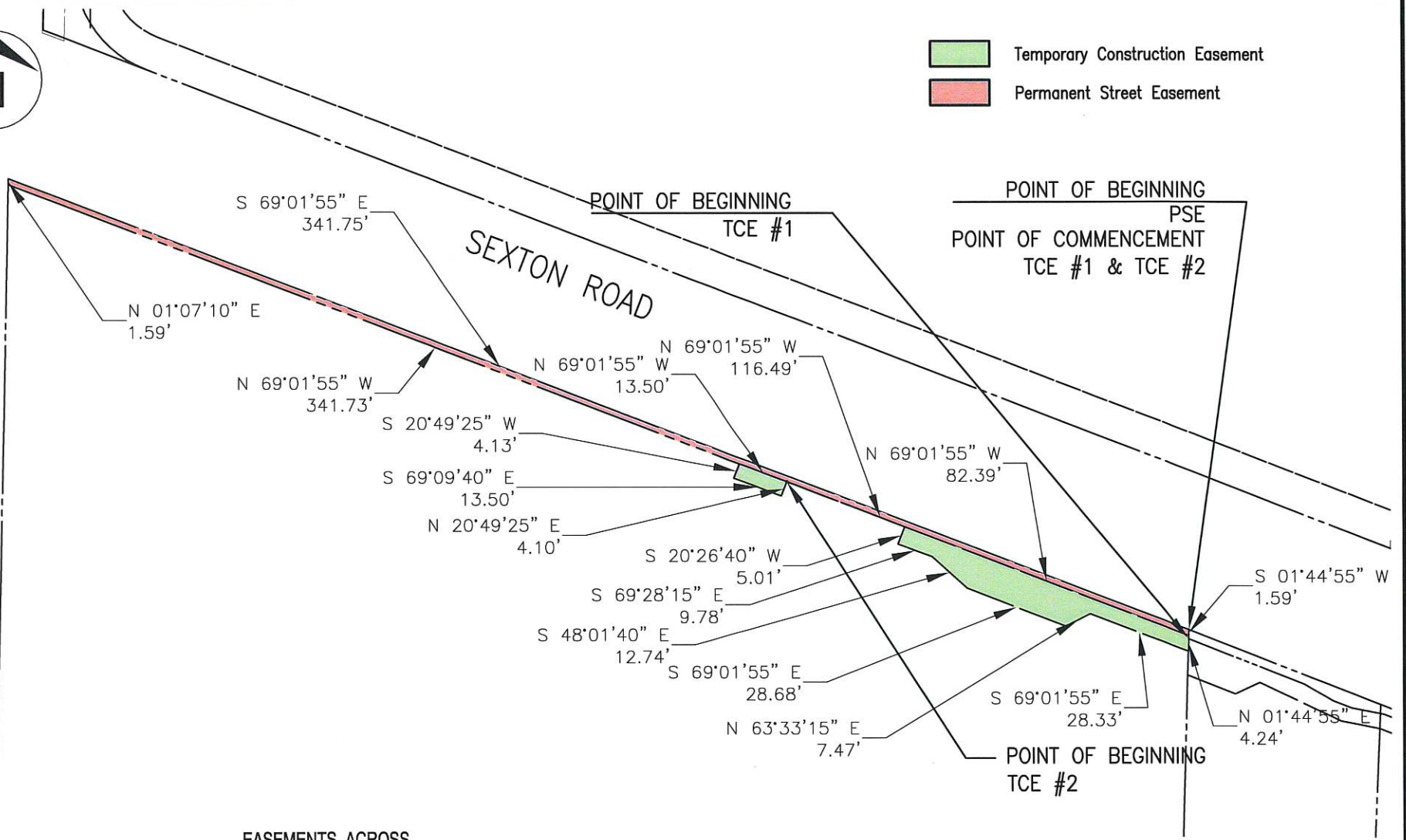





- Temporary Construction Easement
- Permanent Street Easement

GARTH AVENUE



EASEMENTS ACROSS
 OAK TOWERS HOUSING DEVELOPMENT, A MISSOURI LIMITED PARTNERSHIP
 700 N. GARTH AVE.
 WD Bk 4690 Pg 78
 J. A. STEWART'S SUBDIVISION OF LOTS 29 & 32
 IN GARTH'S SUBDIVISION
 PLAT BOOK 1 PAGE 21
 LOTS 1-8 & N 1/2 LYNN ST
 SURVEY BK 333 PG 177
 16-315-00-11-001.00 01



**city of
Columbia**
Public Works

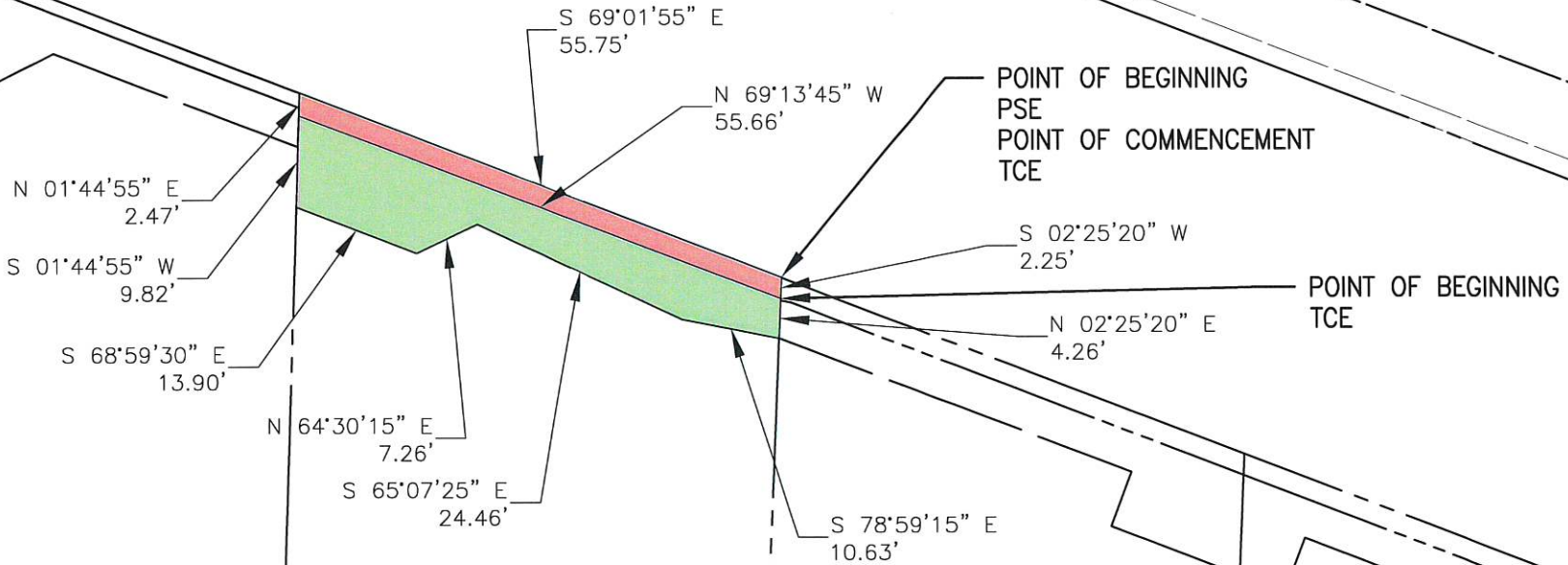
**SEXTON ROAD SIDEWALK
EASEMENT DIAGRAM**

Scale: 1"=40'	Dwn: B.F.R.	DATE: 03/06/2023
---------------	-------------	------------------




SEXTON ROAD

- (TCE) Temporary Construction Easement(348 sq. ft.)
- (PSE) Permanent Street Easement(125 sq. ft.)



EASEMENTS ACROSS
 MARK L. GASTLER & MICHELLE R. GASTLER
 HUSBAND & WIFE
 14 E. SEXTON RD.
 WD Bk 1351 Pg 114
 E. C. CLINKSCALE'S SECOND ADDITION
 PLAT BOOK 2 PAGE 40
 LOT 6
 16-315-00-14-006.00 01





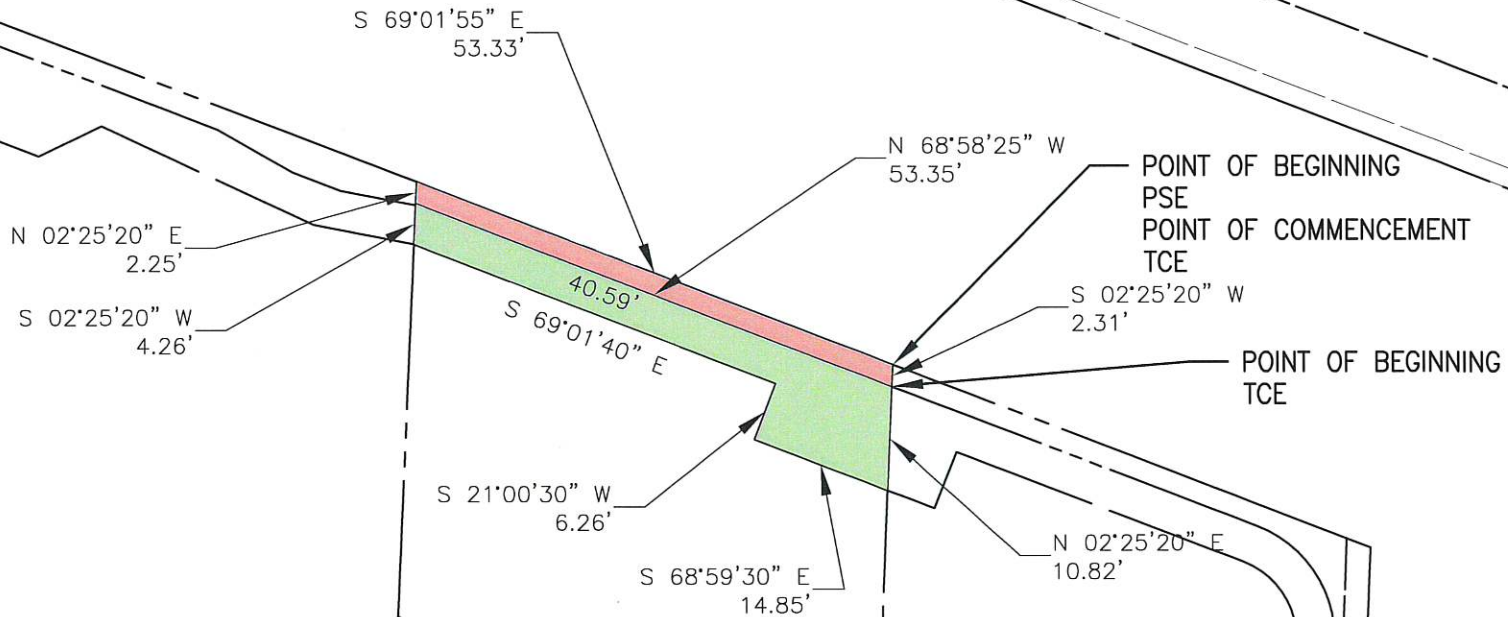
**SEXTON ROAD SIDEWALK
EASEMENT DIAGRAM**

Scale: 1"=20'	Dwn: B.F.R.	DATE: 03/06/2023
---------------	-------------	------------------



SEXTON ROAD

-  (TCE) Temporary Construction Easement(300 sq. ft.)
-  (PSE) Permanent Street Easement(115 sq. ft.)



EASEMENTS ACROSS
 JADA LEA JESSE & CONNIE SUE JESSE
 JOINT TENANTS
 16 E. SEXTON RD.
 WD Bk 500 Pg 915
 E. C. CLINKSCALE'S SECOND ADDITION
 PLAT BOOK 2 PAGE 40
 LOT 5
 16-315-00-14-005.00 01





**SEXTON ROAD SIDEWALK
 EASEMENT DIAGRAM**

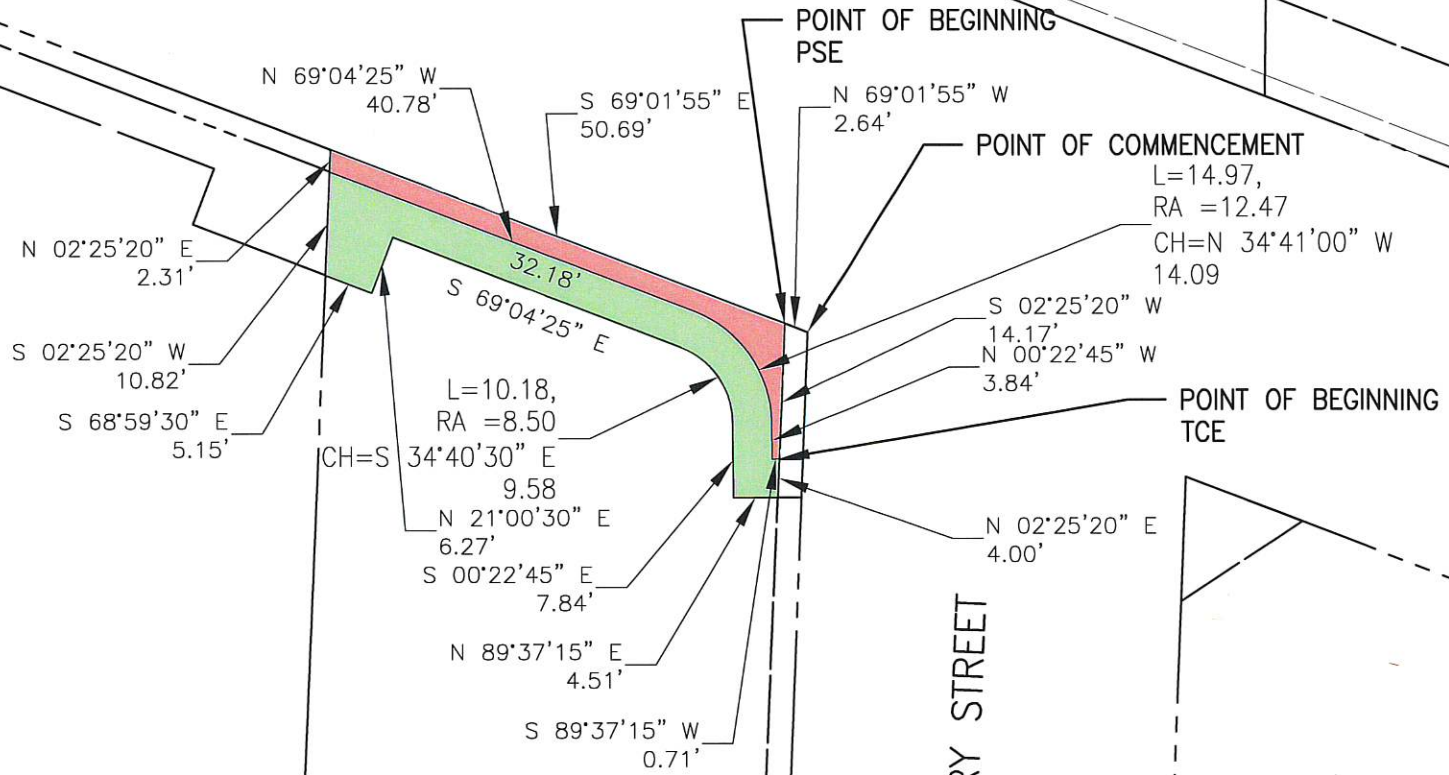
Scale: 1"=20' | Dwn: B.F.R. | DATE: 03/06/2023

2015 Orthophoto Source: Boone County Assessor




SEXTON ROAD

-  (TCE) Temporary Construction Easement(283 sq. ft.)
-  (PSE) Permanent Street Easement(135 sq. ft.)



EASEMENTS ACROSS
 WRIGHT TEMPLE,
 FORMERLY CHURCH IN CHRIST
 18 E. SEXTON RD.
 WD Bk 309 Pg 325
 E. C. CLINKSCALE'S SECOND ADDITION
 PLAT BOOK 2 PAGE 40
 LOT 4
 16-315-00-14-004.00 01

MARY STREET
 STREET EASEMENT
 BK 713 PG 776



**SEXTON ROAD SIDEWALK
 EASEMENT DIAGRAM**

Scale: 1"=40' Dwn: B.F.R. DATE: 03/06/2023



EASEMENTS ACROSS
COLUMBIA SCHOOL DISTRICT
107 E. SEXTON RD.
WD Bk 162 Pg 125
GUITAR'S SUBDIVISION AND PARK ADDITION
PLAT BOOK 1 PAGE 16
PART OF LOT 1
16-315-00-01-103.00 01



(TCE) Temporary Construction Easement(133 sq. ft.)

N 21°06'45" E
4.00'

S 69°01'55" E
33.13'

S 21°06'45" W
4.00'

SEXTON ROAD

33.13'
N 69°01'55" W

POINT OF COMMENCEMENT

23.72'
N 69°01'55" W

POINT OF BEGINNING
TEMPORARY CONSTRUCTION
EASEMENT

WOODLAWN AVENUE



SEXTON ROAD SIDEWALK
EASEMENT DIAGRAM

Scale: 1"=40' | Dwn: B.F.R. | DATE: 03/06/2023