

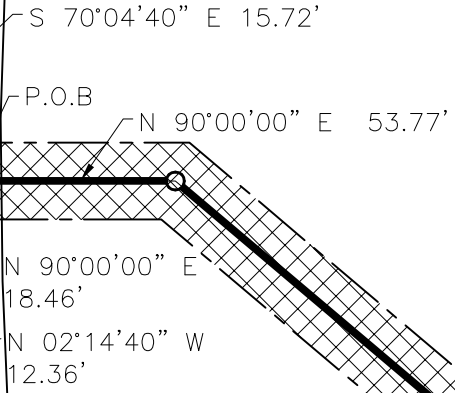
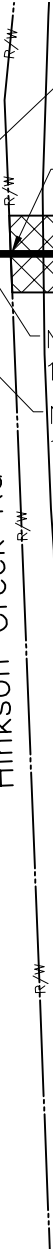


P.O.C.

Hunter and
Lucas
Addition
Plat 2
PLAT BOOK 41
PAGE 85

1B

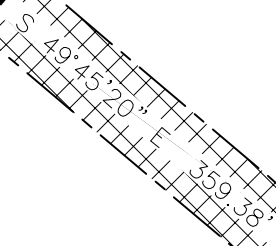
Hinkson Creek Rd



City of Columbia
TRST. BK. 3926 PG. 81
12-801-28-00-001.00 01

1

PSSE



Areas - City of Columbia	
Permanent Sanitary Sewer Easement	8,263 Sq. Ft.

- Permanent Sanitary Sewer Easement
- Temporary Construction Easement
- Property Line
- R/W Right-of-Way
- P.O.C. = Point of Commencement
- P.O.B. = Point of Beginning



Route B Economic District
Sewer Extension

City of Columbia - Hinkson Creek Rd

Scale: 1"=50'

Drawn: D.W.H.

Date: 7/20/21

C:\Users\p056147\OneDrive - Economic District\Documents\Projects\Economic District\Drawings\20210721_12-801-28-00-001.00.dwg