



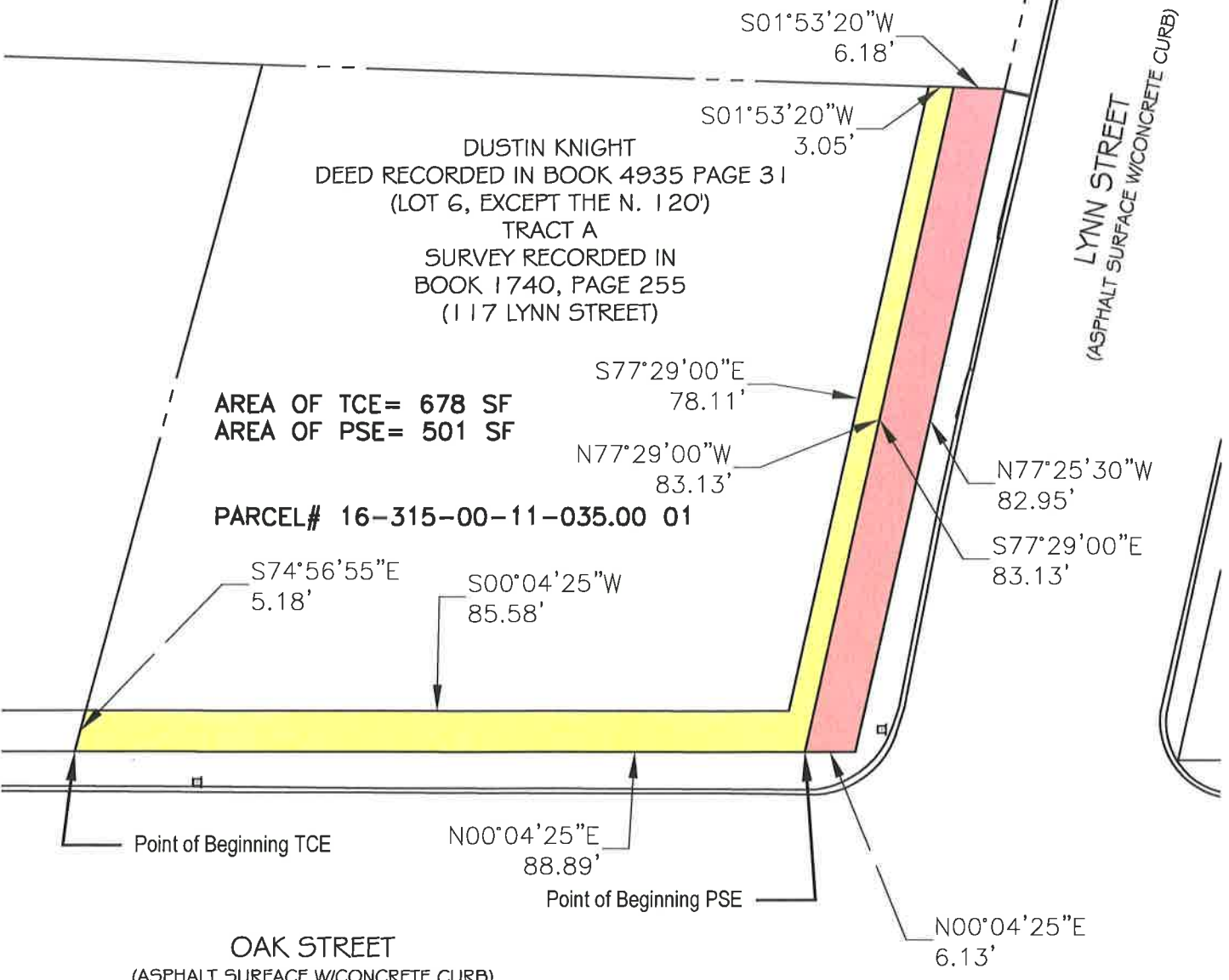
Temporary Construction Easement




Permanent Sidewalk Easement



Scale: 1"=20'



 **City of Columbia, Missouri**
Department of Public Works

**LYNN/OAK/SEXTON
EASEMENT DIAGRAM**

Scale: 1"=20' | Dwn: C.N.S. | Date: 12/03/18



Temporary Construction Easement

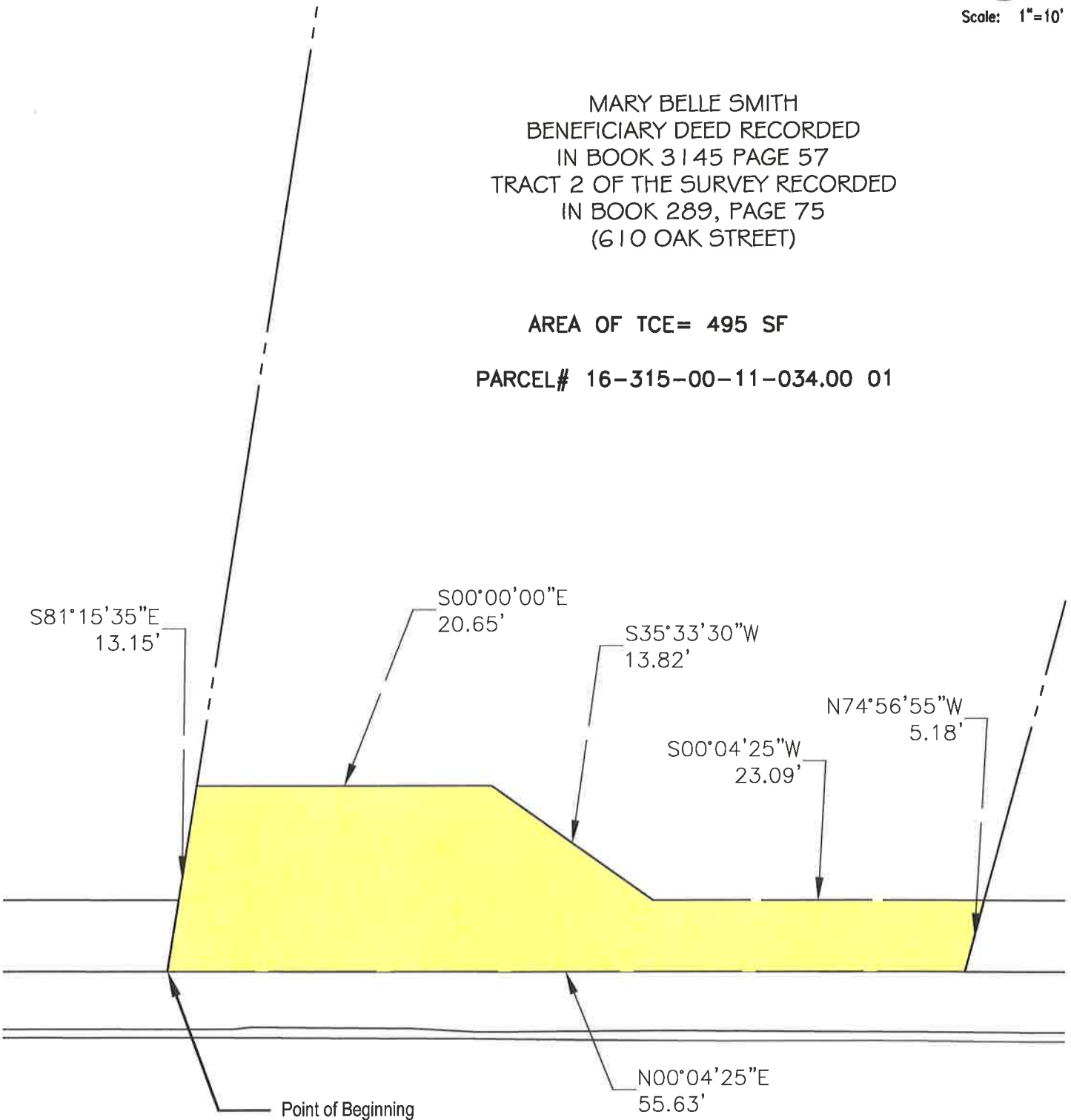


Scale: 1"=10'

MARY BELLE SMITH
BENEFICIARY DEED RECORDED
IN BOOK 3145 PAGE 57
TRACT 2 OF THE SURVEY RECORDED
IN BOOK 289, PAGE 75
(610 OAK STREET)

AREA OF TCE= 495 SF

PARCEL# 16-315-00-11-034.00 01



OAK STREET
(ASPHALT SURFACE W/CONCRETE CURB)

 **City of Columbia, Missouri**
Department of Public Works

**LYNN/OAK/SEXTON
EASEMENT DIAGRAM**

Scale: 1"=10' | Dwn: C.N.S. | Date: 12/03/18



Temporary Construction Easement

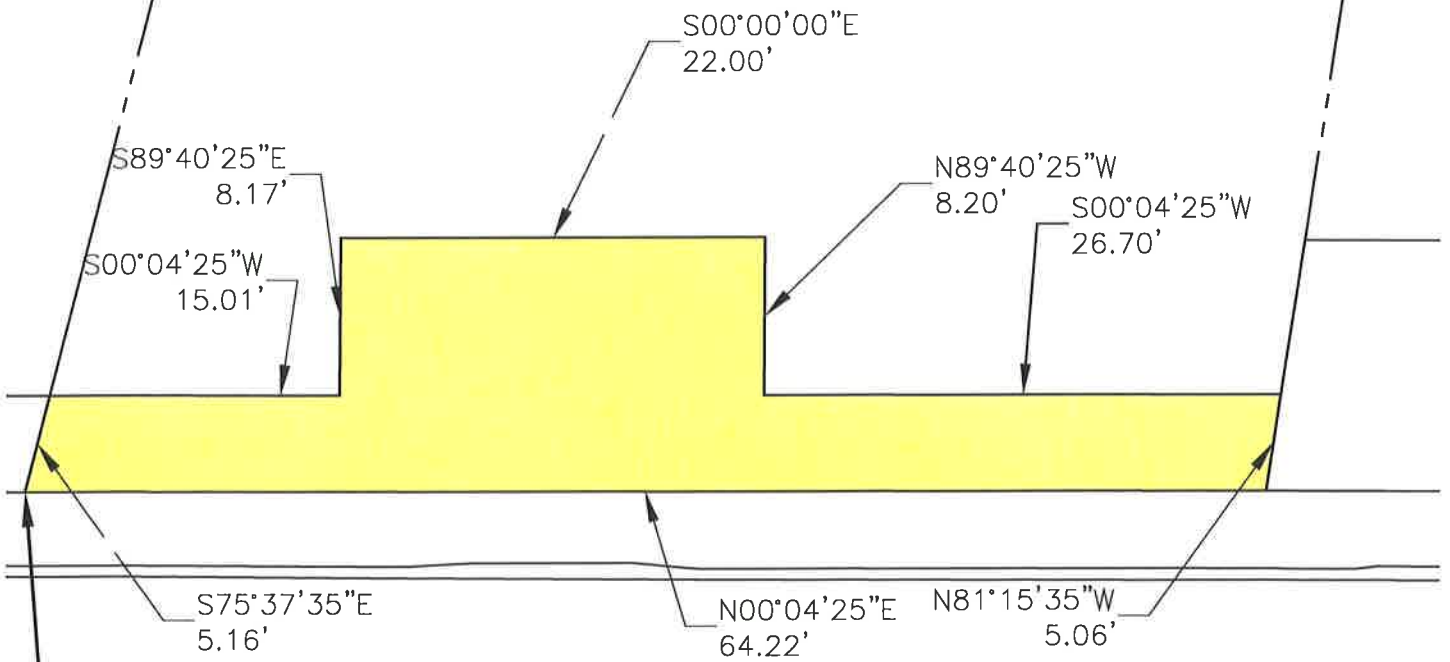


Scale: 1"=10'

JAMES E. PORTER, JR. & GEORGIA MAE PORTER
WARRANTY DEED RECORDED IN
BOOK 292, PAGE 522
TRACT 1 OF THE SURVEY RECORDED IN BOOK 289, PAGE 75
(612 OAK STREET)

AREA OF TCE= 500 SF

PARCEL# 16-315-00-11-033.00 01



Point of Beginning

OAK STREET
(ASPHALT SURFACE W/CONCRETE CURB)

 **City of Columbia, Missouri**
Department of Public Works

**LYNN/OAK/SEXTON
EASEMENT DIAGRAM**

Scale: 1"=10' | Dwn: C.N.S. | Date: 12/03/18



Temporary Construction Easement

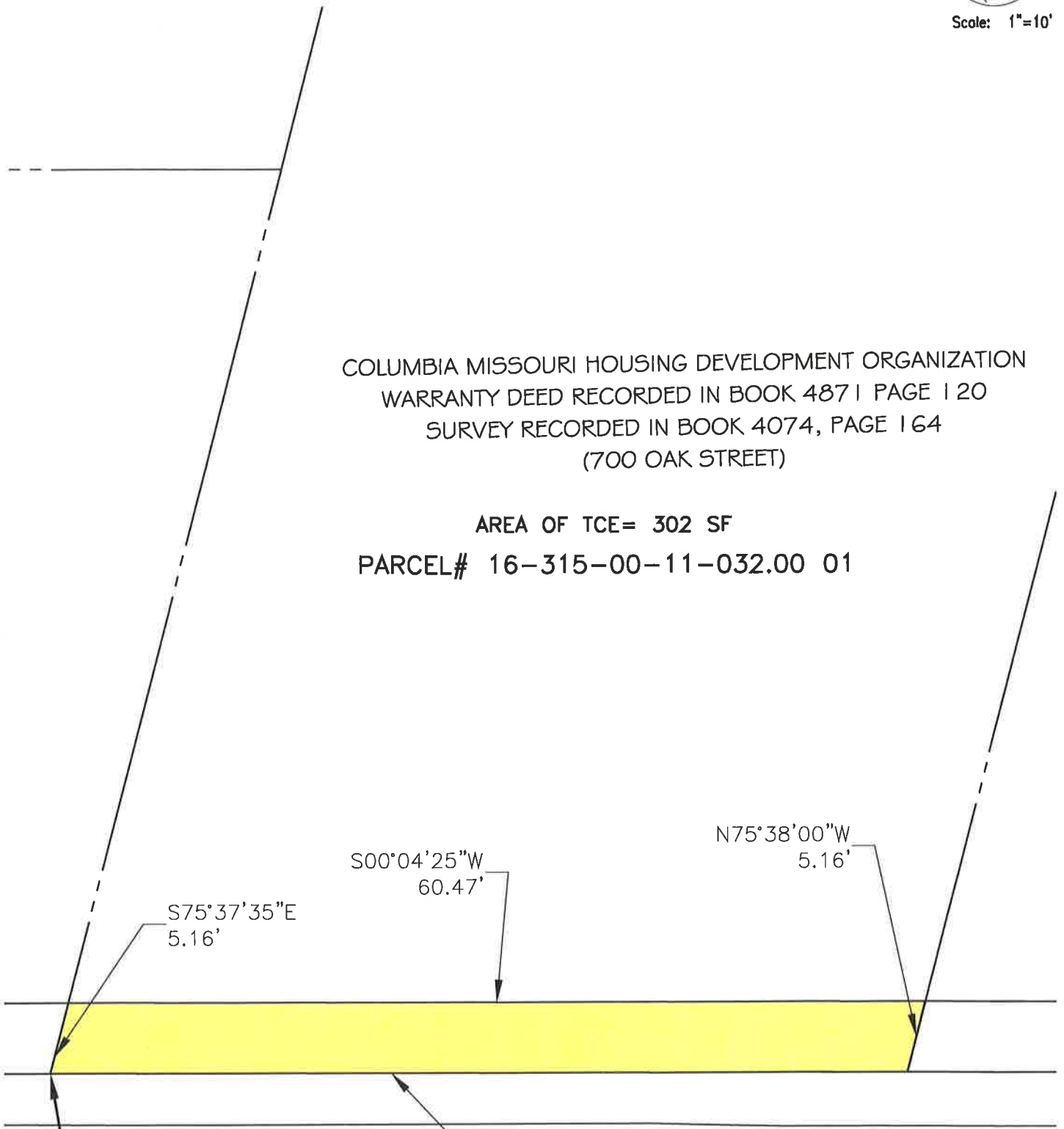


Scale: 1"=10'

COLUMBIA MISSOURI HOUSING DEVELOPMENT ORGANIZATION
WARRANTY DEED RECORDED IN BOOK 487 I PAGE 1 20
SURVEY RECORDED IN BOOK 4074, PAGE 1 64
(700 OAK STREET)


AREA OF TCE= 302 SF

PARCEL# 16-315-00-11-032.00 01



Point of Beginning

OAK STREET
(ASPHALT SURFACE W/CONCRETE CURB)

	City of Columbia, Missouri Department of Public Works
LYNN/OAK/SEXTON EASEMENT DIAGRAM	
Scale: 1"=10"	Dwn: C.N.S..
Date: 12/03/18	



Temporary Construction Easement



Scale: 1"=20'

N75°37'35"W
5.16'

S00°04'25"W
26.27'

N74°16'35"W
8.83'

S00°00'00"E
22.39'

S74°12'35"E
8.80'

RLR PROPERTIES, L.L.C.
WARRANTY DEED RECORDED IN
BOOK 4385 PAGE 26
(116 W. SEXTON RD.)

AREA OF TCE= 1195 SF

PARCEL# 16-315-00-11-008.00 01

S00°04'25"W
100.01'

N00°04'25"E
152.56'

S00°09'25"W
4.09'

N77°46'35"W
60.53'

Point of Beginning TCE

S77°44'55"E
65.66'

OAK STREET

(ASPHALT SURFACE W/CONCRETE CURB)

SEXTON STREET

(ASPHALT SURFACE W/CONCRETE CURB)



City of Columbia, Missouri
Department of Public Works

LYNN/OAK/SEXTON
EASEMENT DIAGRAM

Scale: 1"=20'

Dwn: C.N.S.

Date: 12/03/18



Temporary Construction Easement



Scale: 1"=10'

STEPHEN C. ADAIR
WARRANTY DEED RECORDED IN
BOOK 3554 PAGE 108
(114 W. SEXTON RD.)

AREA OF TCE= 263 SF

PARCEL# 16-315-00-11-007.00 01

S02°51'55"W
4.05'

N77°46'35"W
65.86'

N00°09'25"E
4.09'

Point of Beginning TCE

S77°46'35"E
65.66'

SEXTON STREET
(ASPHALT SURFACE W/CONCRETE CURB)



City of Columbia, Missouri
Department of Public Works

LYNN/OAK/SEXTON
EASEMENT DIAGRAM

Scale: 1"=10' | Dwn: C.N.S. | Date: 12/03/18



Temporary Construction Easement

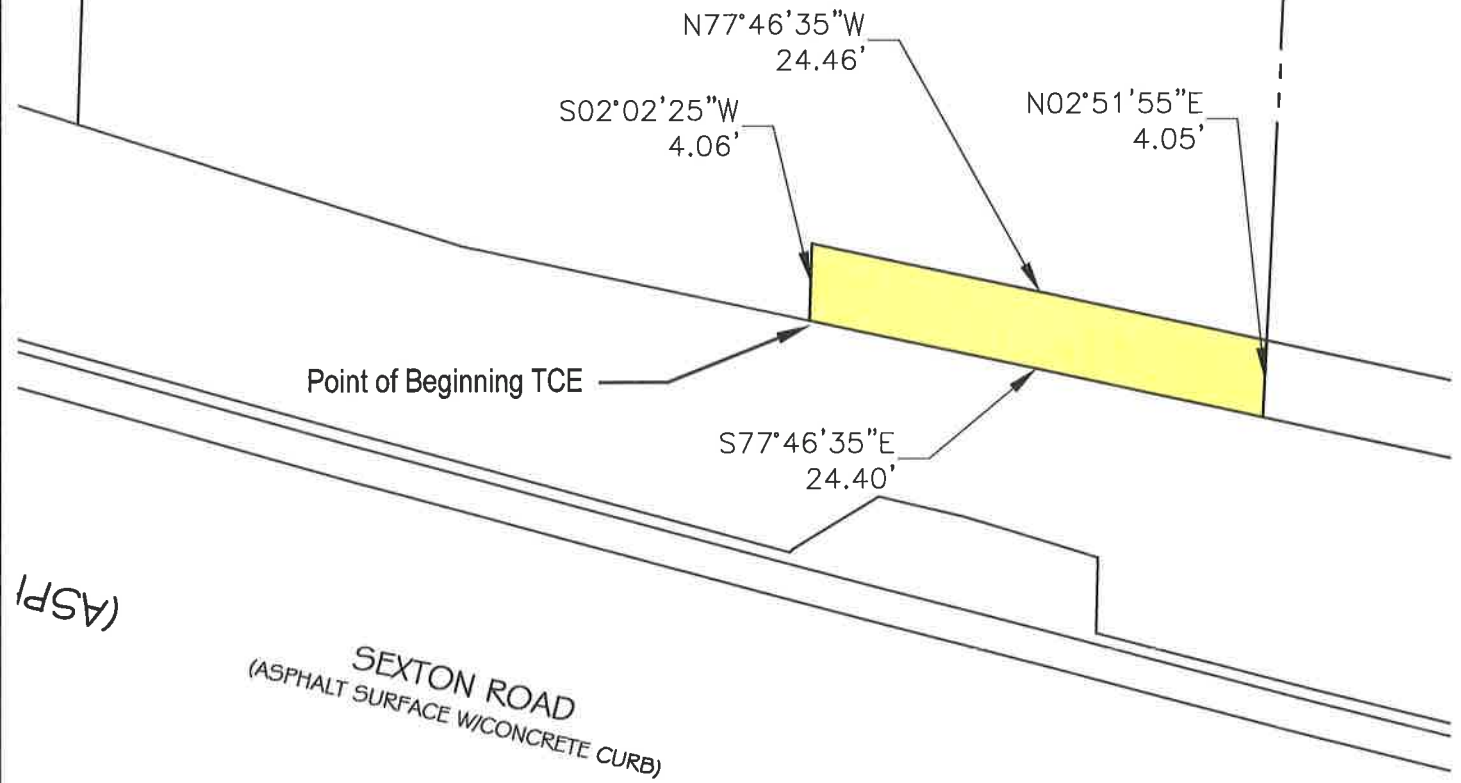


Scale: 1"=10'

LILLIE A DOWDELL
BENEFICIARY DEED RECORDED IN
BOOK 3042 PAGE 17
(112 W. SEXTON RD.)

AREA OF TCE= 98 SF

PARCEL# 16-315-00-11-006.00 01



(ASPH)

SEXTON ROAD
(ASPHALT SURFACE W/CONCRETE CURB)

	City of Columbia, Missouri	
	Department of Public Works	
LYNN/OAK/SEXTON EASEMENT DIAGRAM		
Scale: None	Dwn: C.N.S.	Date: 12/03/18