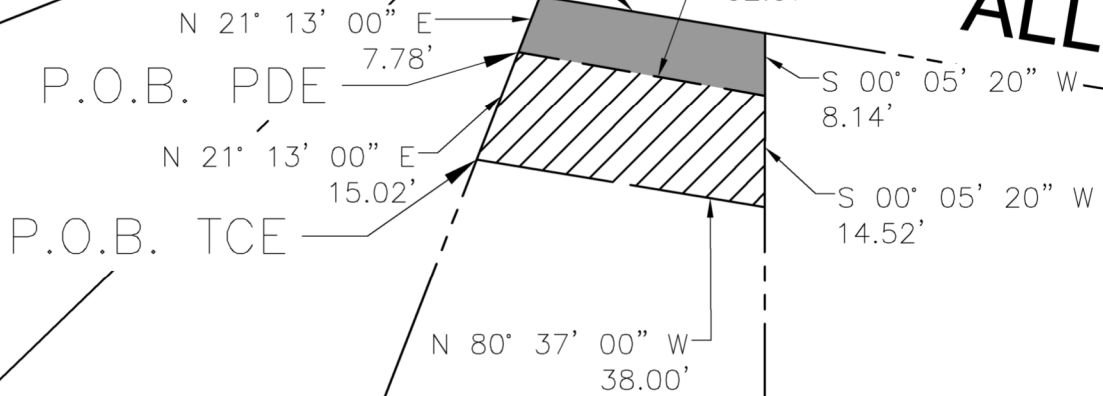




P.O.B. Point of Beginning
 P.O.C. Point of Commencement

VILLA CAPRI CONDOMINIUMS
 BK. 753, PG. 893

ALLEY



8

9

10

VILLA CAPRI APARTMENTS LLC
 WD BK. 3924 PG. 47
 114 FYFER PL
 LOT 9, BLOCK 2 GENTRY'S REVISION
 OF FYFER'S SUBDIVISION
 PLAT BK. 4, PG. 39
 17-405-00-01-002.00 01

FYFER PL

P.O.C. TCE
 P.O.C. PDE



Permanent Sanitary Sewer Easement



Permanent Drainage Easement 243 SQ. FT.



Temporary Construction Easement 512 SQ. FT.



Capri Drainage

114 Fyfer Pl

Scale: 1"=25'

Drawn: T.K.S.

Date: 12/16/21