

CONSTRUCT 26' WIDE ASPHALT DETOUR ROAD.

○ ○ GRADING LIMIT

PAVEMENT

26'-0"

13'-0"

13'-0"

2%

2%

4" TYPE BP-2  
ASPHALTIC CONCRETE (TWO LIFTS)

4" TYPE 3 AGGREGATE BASE  
COMPACTED SUBGRADE

Asphaltic Pavement

NOT TO SCALE

Route K

START DETOUR  
STA. 0+57.20'

ROUNDABOUT  
PROJECT

Temporary Detour Road

Old Plank Road

Tompkins Homes & Development, Inc  
WD Bk 4389 Pg 116  
Lot 1 Barcus Ridge, Plat No.2  
PB 49 Pg 53  
LOT SIZE: 1.63  
PARCEL #: 20-200-00-13-047.00  
TCE - 19789.9 SF

0.00 ACRES NEW R/W  
0.45-ACRES TEMPORARY  
CONSTRUCTION EASEMENT  
1.63 ACRES REMAINING

Plan View - Temporary Detour Road

Revision	By	Date	No.

**SINCLAIR & ROUTE K ROUNDABOUT  
TEMPORARY DETOUR ROAD**  
ROW

City of Columbia, Missouri  
Department of Public Works

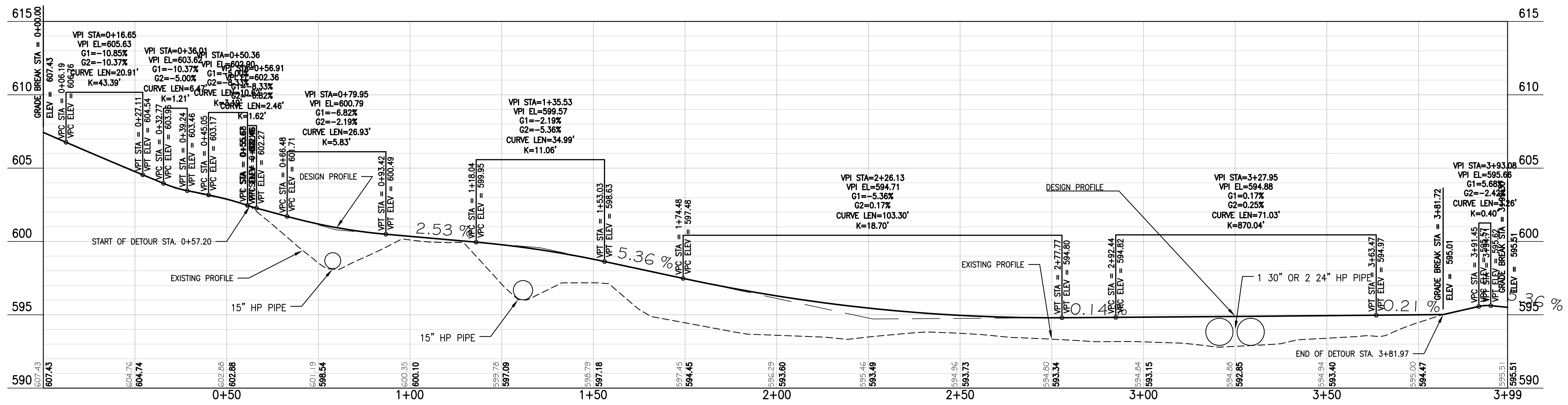
David Allen Nichols Registered Professional Engineer E-24212
File No. STP 2100(626)
Scale: 1" = 20'
Date: 03/31/2020
Des. A.A.A.
Dwn. C.N.S.
Chk. A.A.A.

o:\cadd\proj\stret\sinclair rd-route k intersection 32-14-17\view n1.k & old plank rd detour\1\_21\_2020\route k & old plank road detour\fb3(c\_02\_2020).dwg

2015 Orthophoto Source: Boone County Assessor

o:\cadd\proj\stret\sinclair rd-route k intersection 32-14-14\view n k & old plank rd detour\_1\_21\_2020\route k & old plank rd detour\_1\_21\_2020.rvt

# PROFILE VIEW – TEMPORARY DETOUR ROAD



City of Columbia, Missouri  
 Department of Public Works

## SINCLAIR & ROUTE K ROUNDABOUT

Detour Profile Sheet

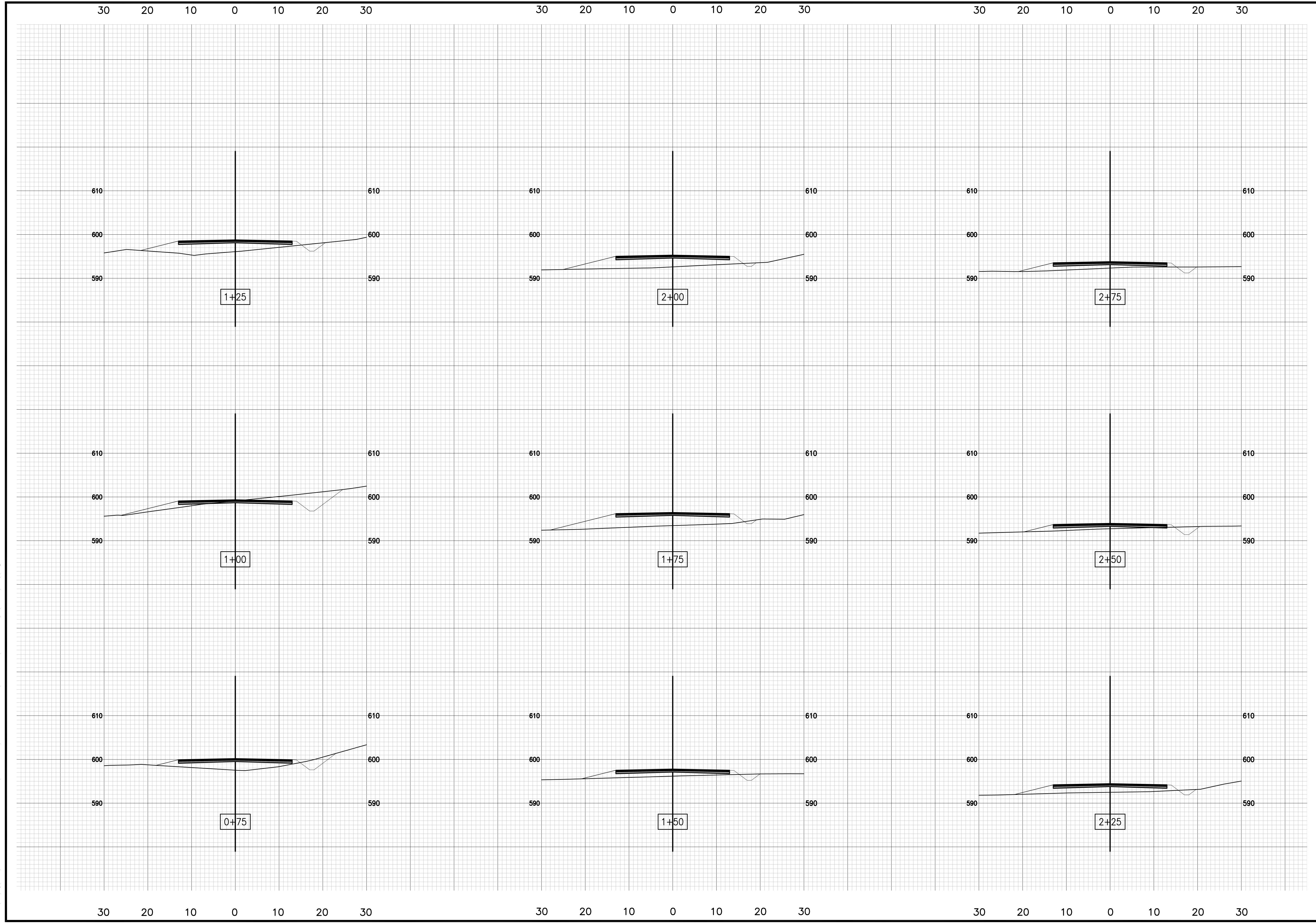
No.	Date	By	Revision

David Allen Nichols  
 Registered Professional Engineer  
 E-24212

File No. STP 2100(626)  
 Scale: 1" = 15'  
 Date: 03/31/2020  
 Des. A.A.A.  
 Dwn. C.N.S.  
 Chk. A.A.A.

2015 Orthophoto Source: Boone County Assessor

o:\cad\proj\stret\sinclair rd-rte k intersection 32-14-17\view r k & old plank rd detour\32-14-17\_2020\route k & old plank road detour\32-14-17\_2020.ras (2).img



Revision	By	Date	No.

**SINCLAIR & ROUTE K ROUNDABOUT**  
Sections 0+25.00 to 2+25.00

City of Columbia, Missouri  
Department of Public Works

David Allen Nichols  
Registered Professional Engineer  
E-24212

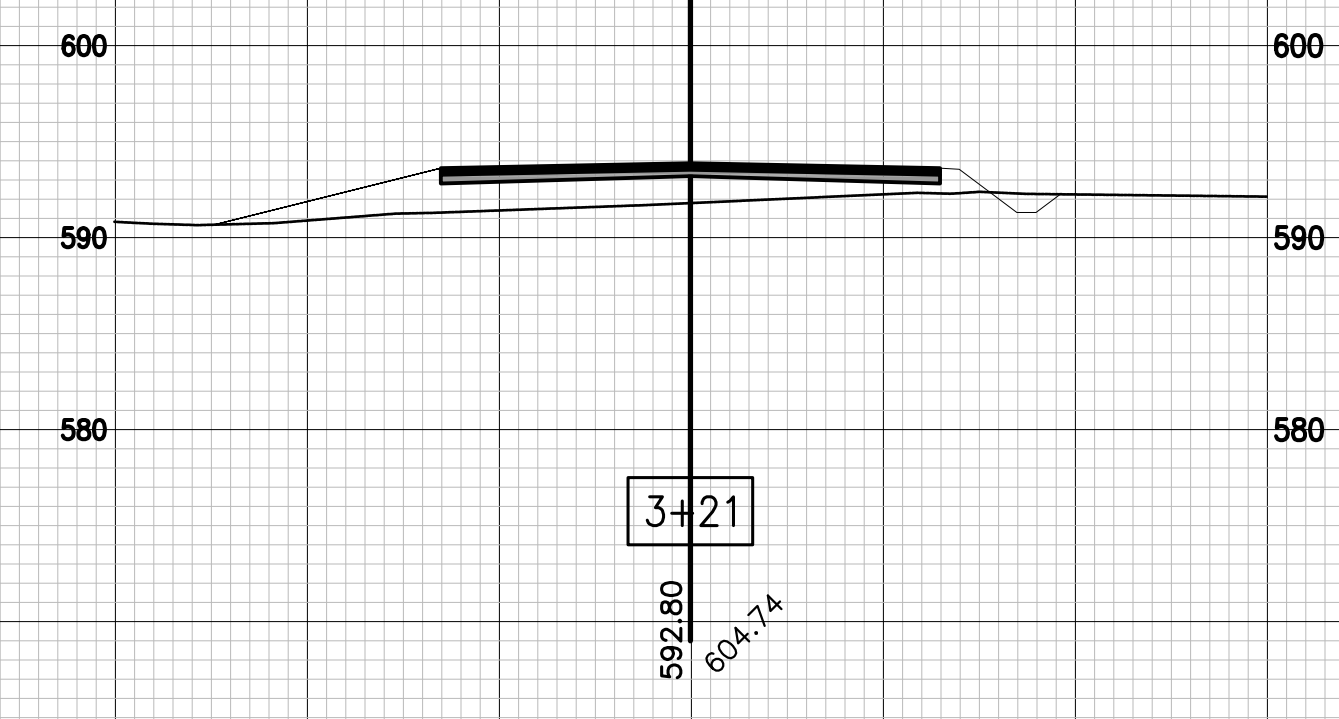
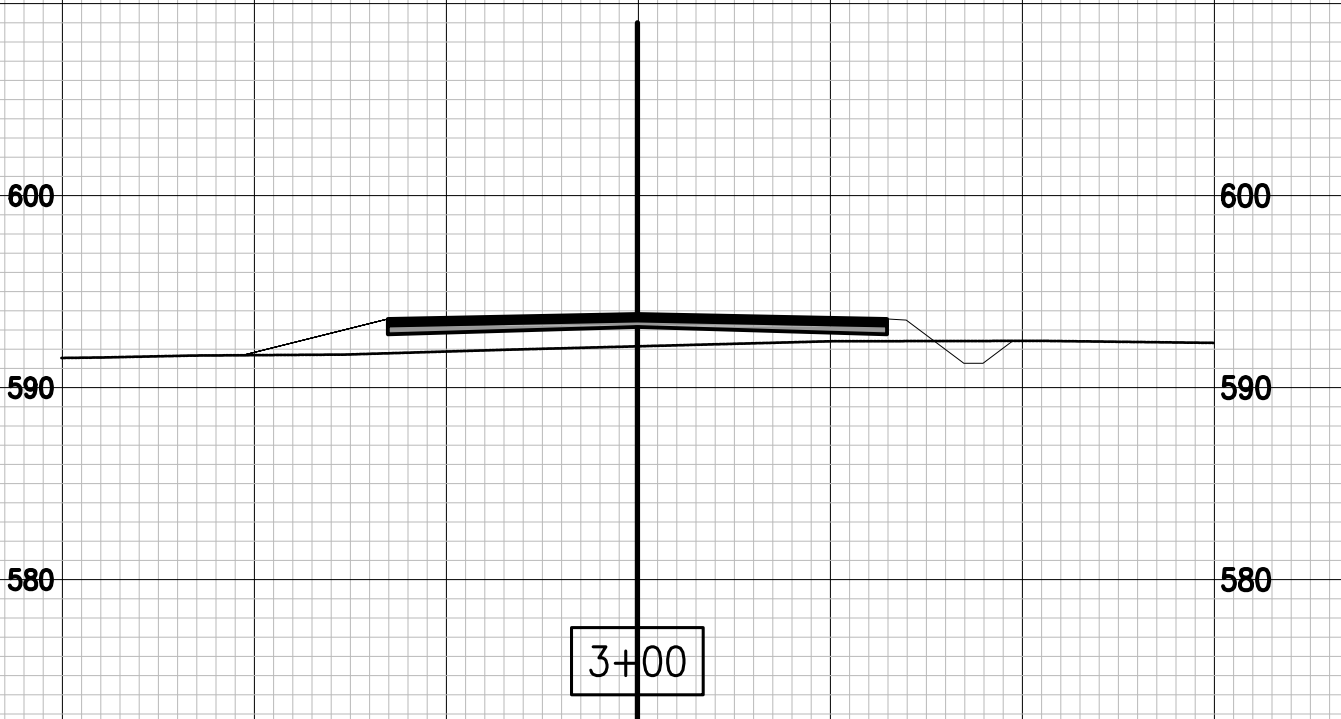
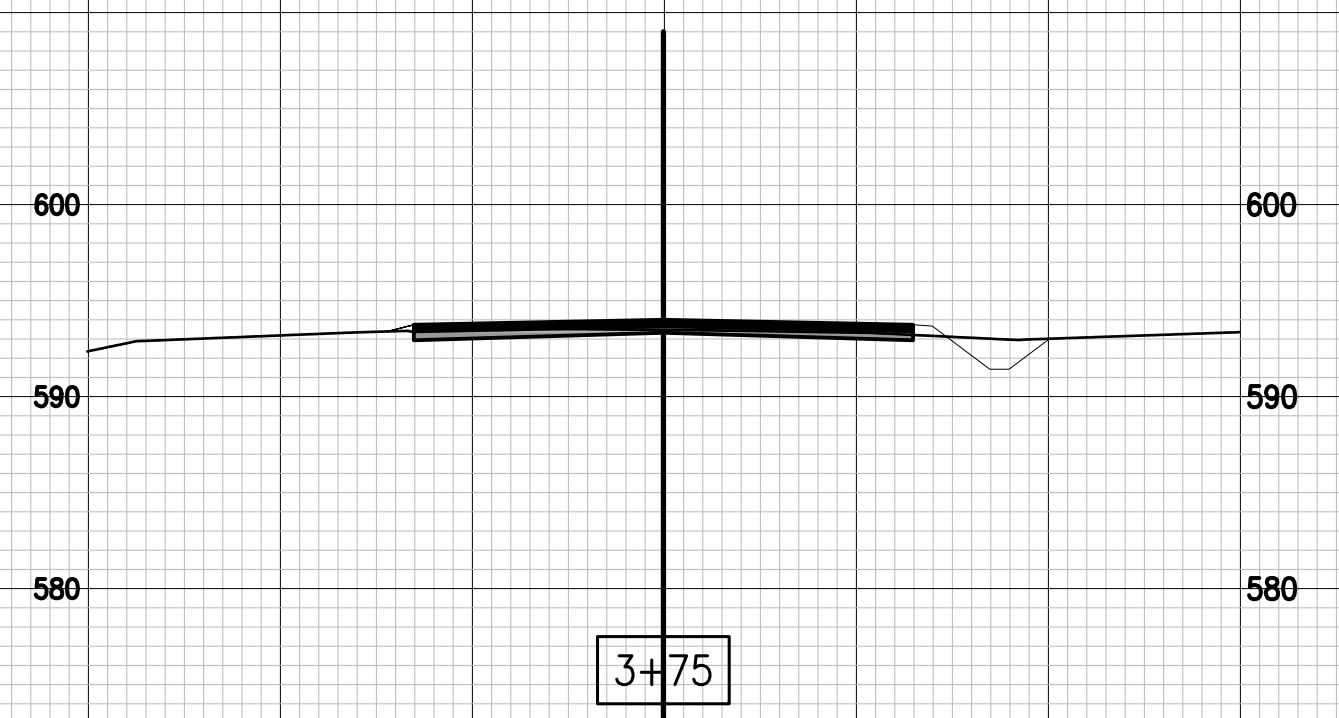
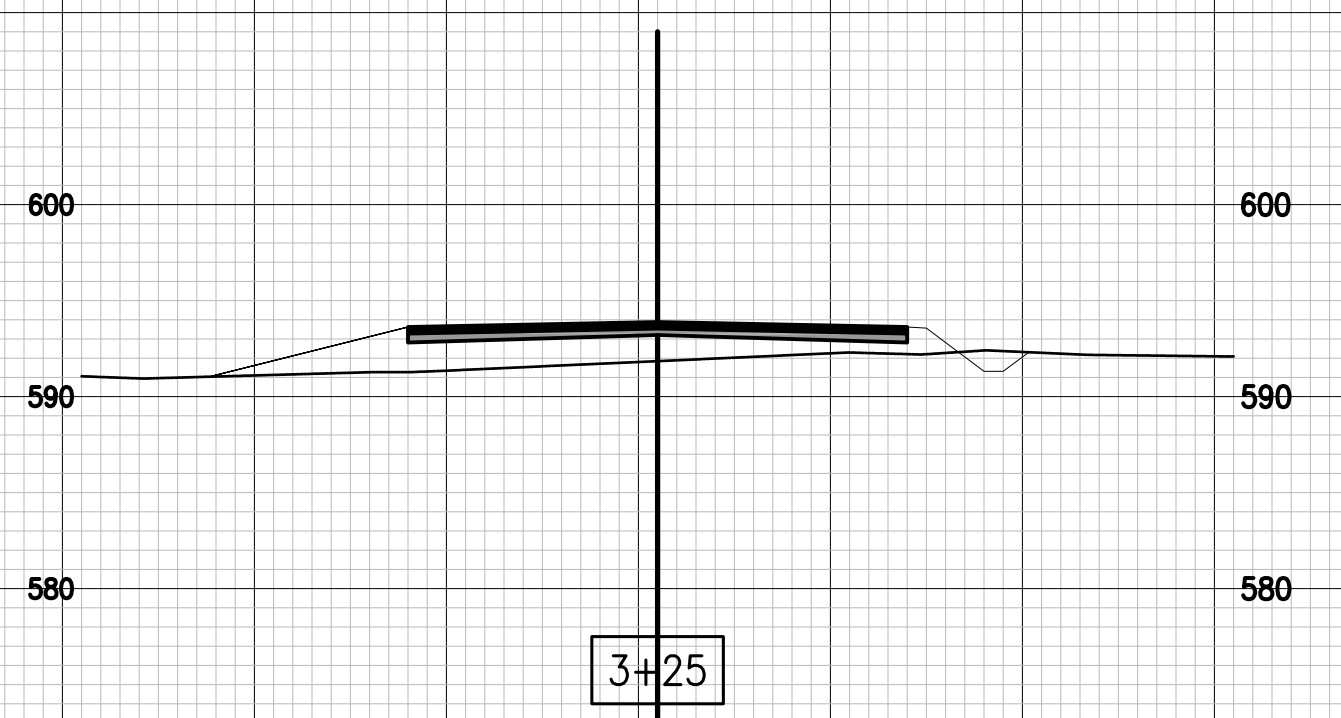
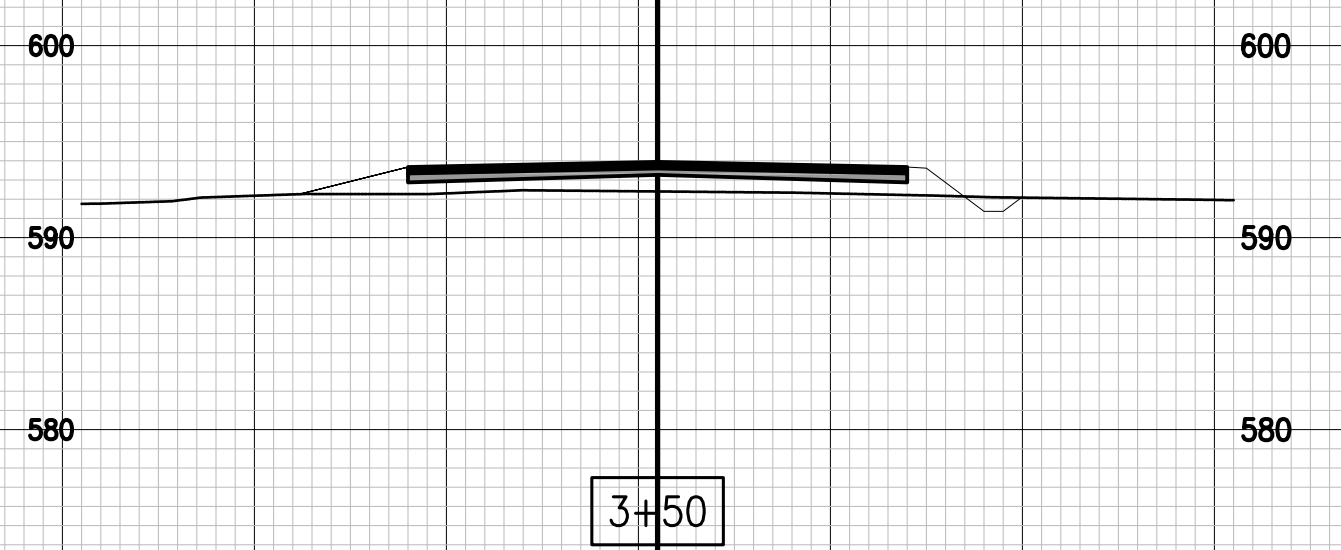
File No.	STP 2100(626)
Scale:	1" = 20'
Date:	03/31/2020
Des.	A.A.A.
Dwn.	C.N.S.
Chk.	A.A.A.

2015 Orthophoto Source: Boone County Assessor

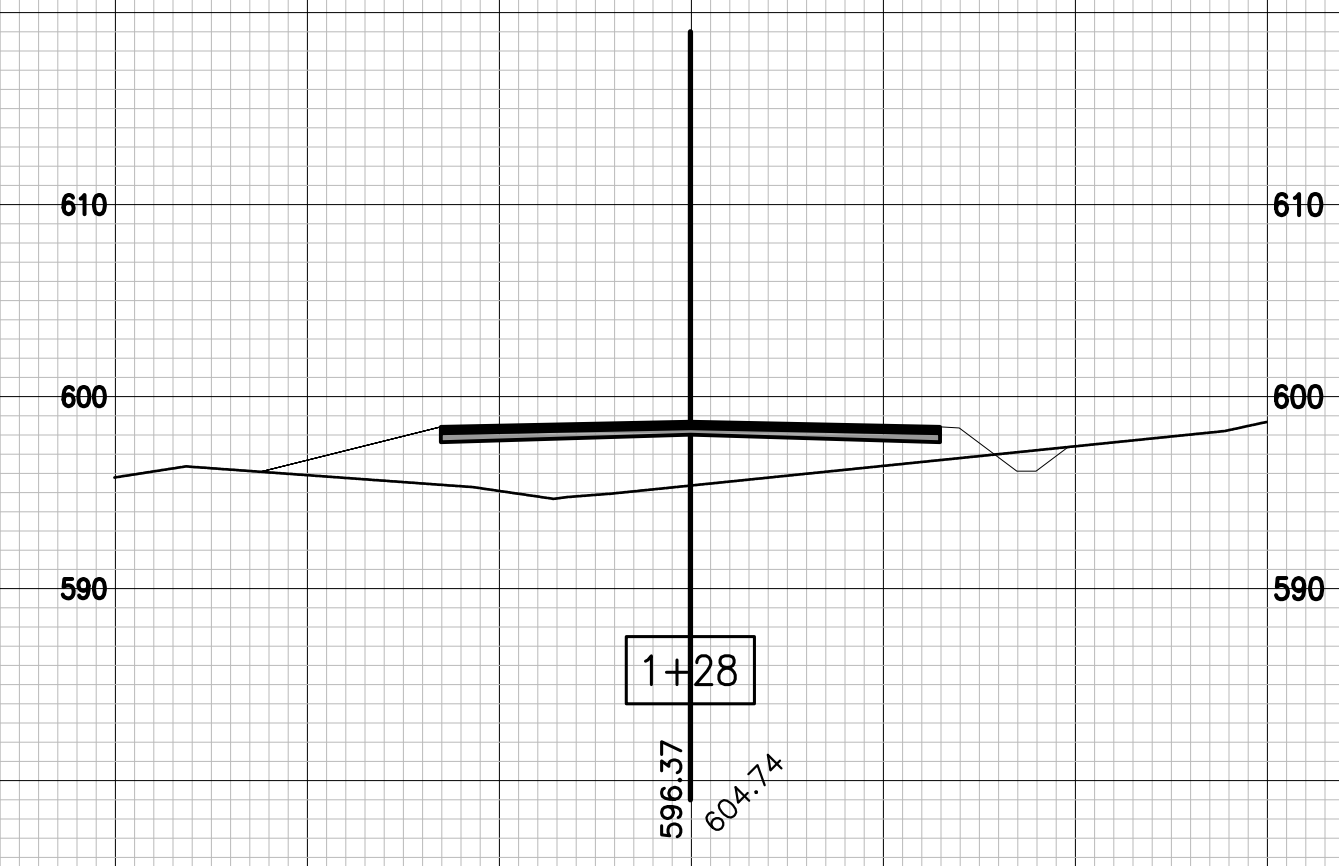
30 20 10 0 10 20 30

30 20 10 0 10 20 30

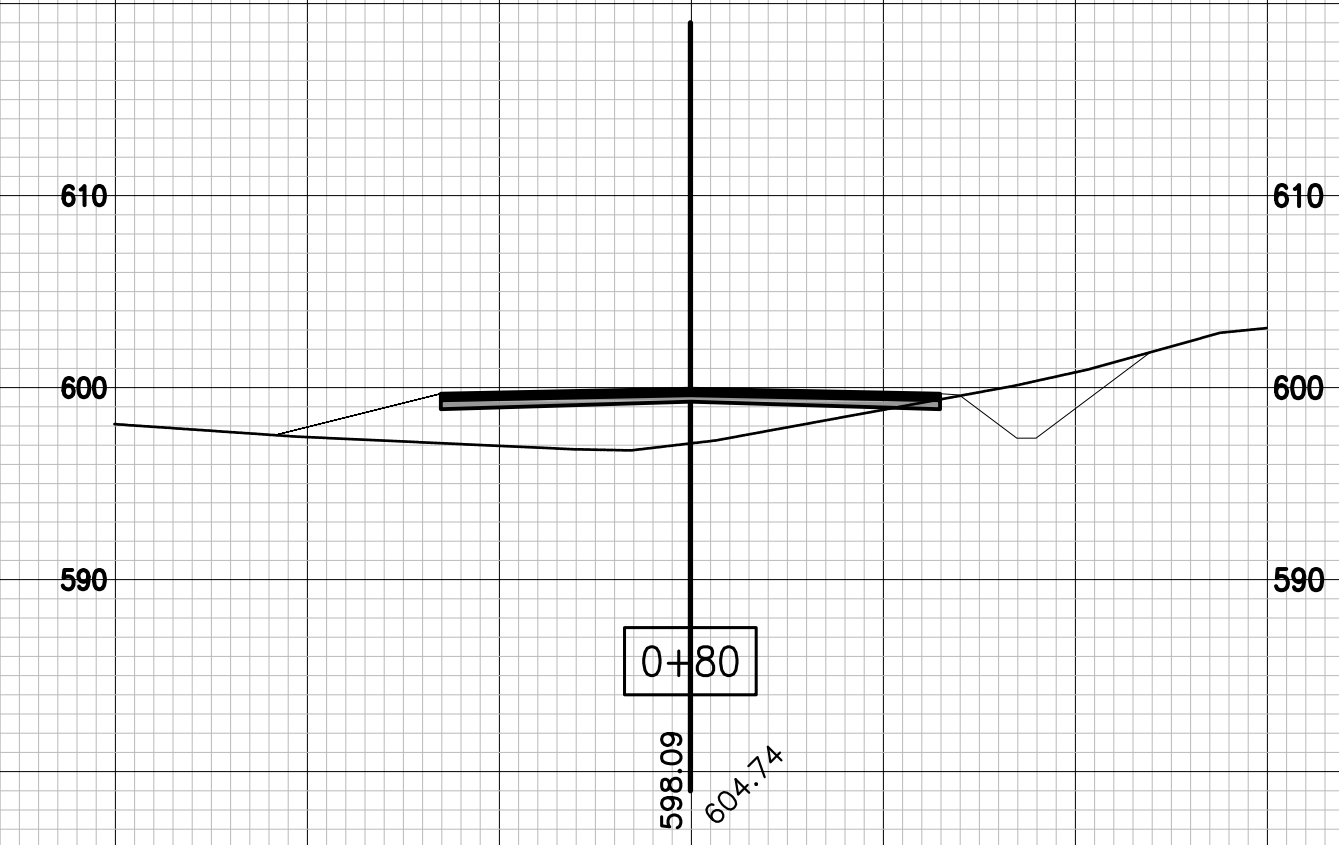
30 20 10 0 10 20 30



CULVERT



CULVERT



CULVERT

No.	Date	By	Revision

**SINCLAIR & ROUTE K ROUNDABOUT**  
Sections 2+50.00 to 3+75.00

City of Columbia, Missouri  
Department of Public Works

David Allen Nichols  
Registered Professional Engineer  
E-24212

File No. STP 2100(626)  
Scale: 1" = 20'  
Date: 03/31/2020  
Des. A.A.A.  
Dwn. C.N.S.  
Chk. A.A.A.

o:\cad\proj\sinclair\rd-route k intersection 32-14-17\new 4 k & old plank rd detour\1\_21\_2020\route k & old plank road detour\3b(c)\_1b\_20.ras (2).img

2015 Orthophoto Source: Boone County Assessor