

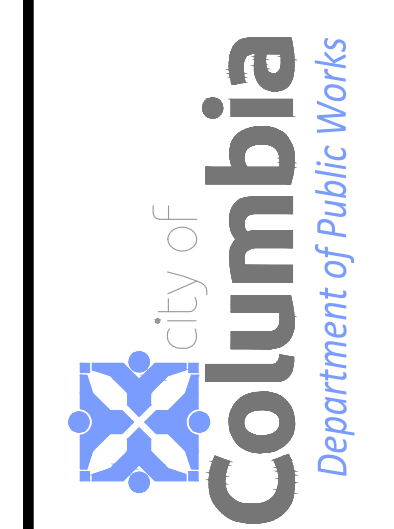
No.	Date	By	Revision

GRINDSTONE SIDEWALK PROJECT
(HYDE PARK AVE. TO NORFLEET DR.)

Preliminary Plan Sheet

Mission
Provide safe, sustainable
infrastructure that promotes
positive communities.

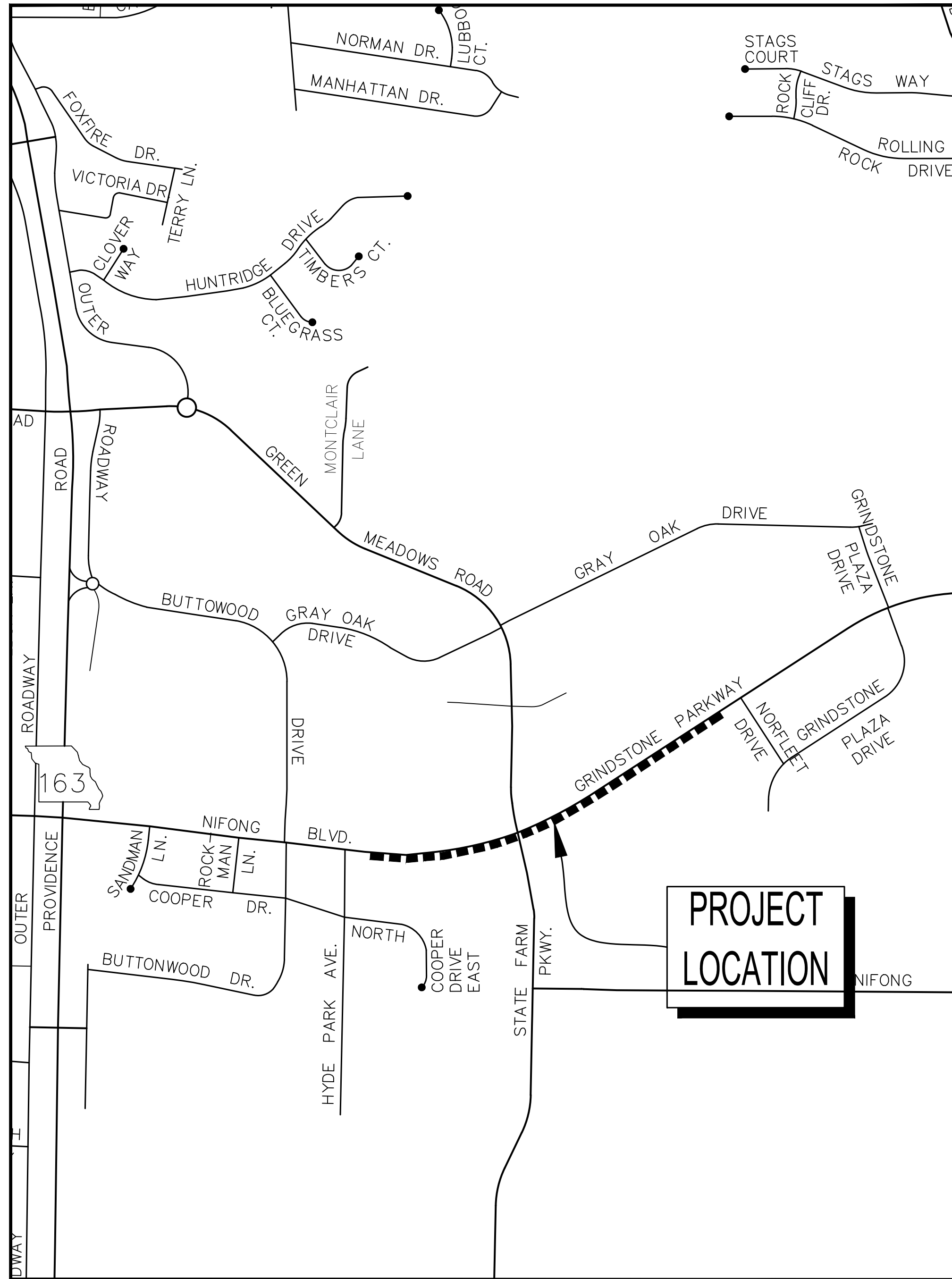
701 East Broadway
P.O. Box 6015
Columbia, MO 65205
(573) 875-2489



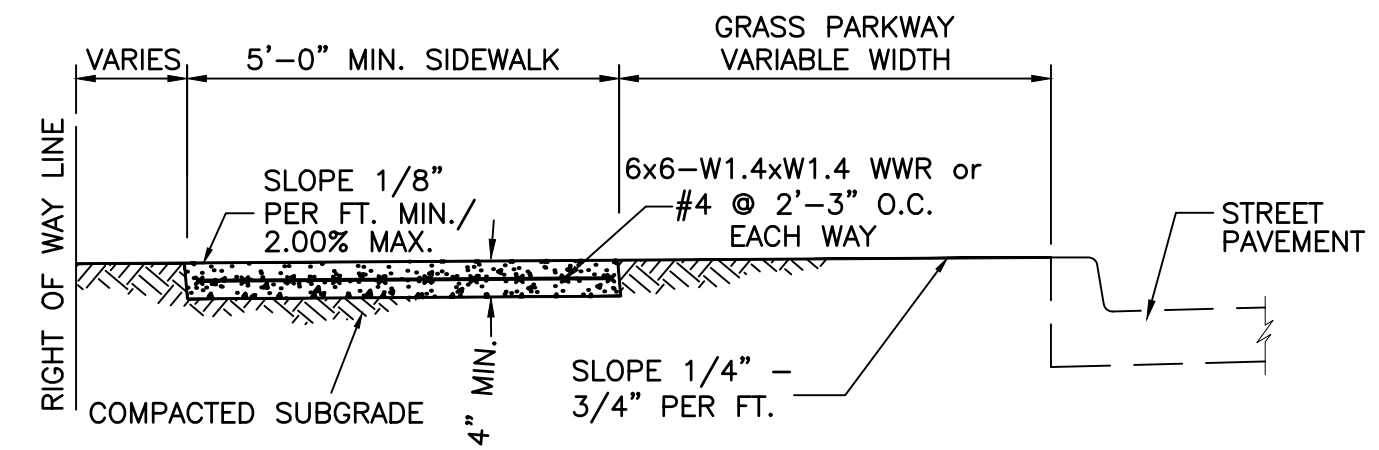
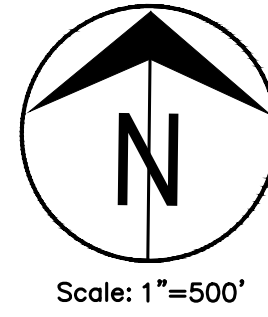
Shane Steven Creach
Registered Professional
Engineer
PE-2007011061

File No. 00820
Scale: 1"=20'
Date: 4/24/2023
Des. E.M.F
Dwn. A.A.E
Chk. A.A.A

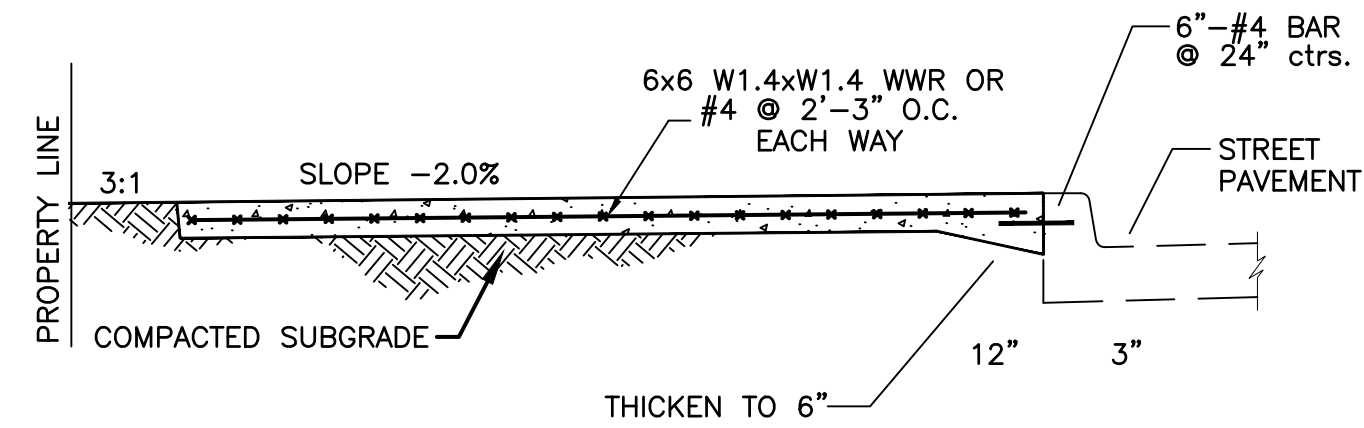
c:\cadd\proj\sidewalk\grindstone\img\sidewalk_top\design\grindstone_sidewalk_sx.dwg



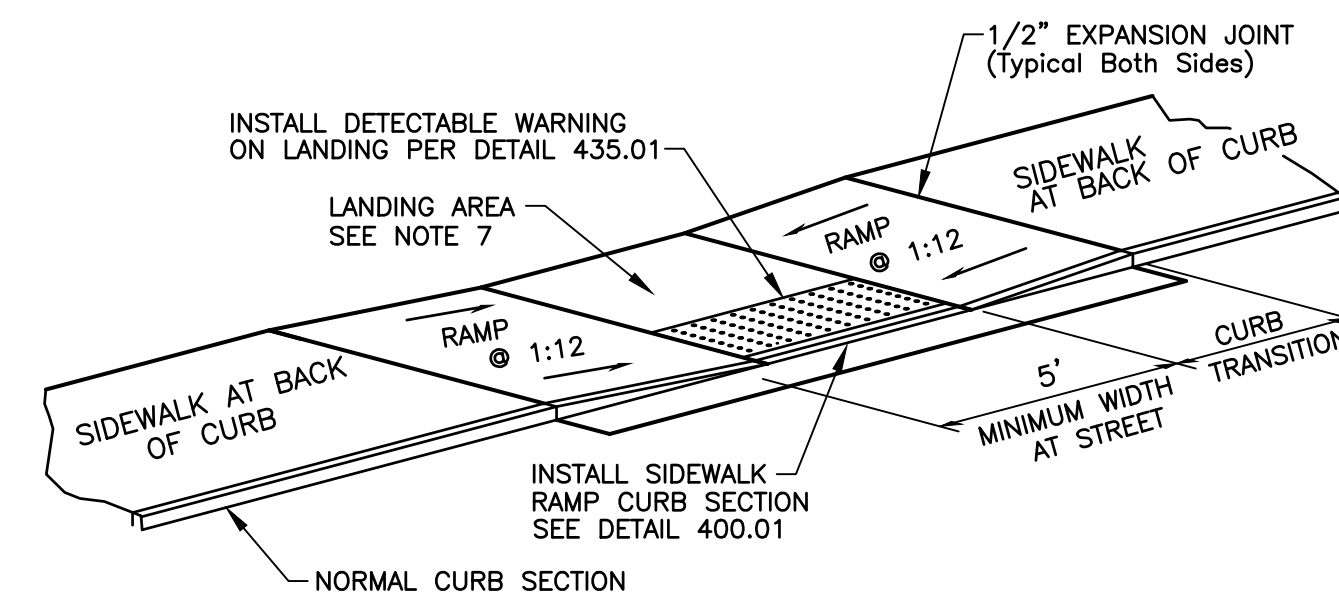
LOCATION MAP
SCALE: 1"=500'



SIDEWALK WITH GRASS PARKWAY
(NOT TO SCALE)



SIDEWALK AT BACK OF CURB
(NOT TO SCALE)



SIDEWALK RAMP AND LANDING
(NOT TO SCALE)

No.	Date	By	Revision

GRINDSTONE SIDEWALK PROJECT
(HYDE PARK AVE. TO NORFLEET DR.)

Preliminary Plan Sheet

Mission
Provide safe, sustainable infrastructure that promotes positive communities.

701 East Broadway
P.O. Box 6015
Columbia, MO 65205
(573) 875-2469



Shane Steven Creech Registered Professional Engineer PE-2007011061
File No. 00820
Scale: None
Date: 4/24/2023
Des. E.M.F
Dwn. A.A.E
Chk. A.A.A

c:\caddpro\sidewalk\grindstone-nifong\sidewalk_gsp\design\grindstone_sidewalk_sw.mxd