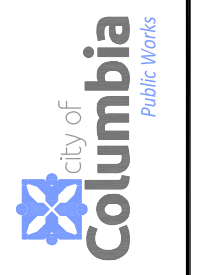


| No. | Date | By | Revision |
|-----|------|----|----------|
| | | | |
| | | | |
| | | | |
| | | | |

**ST CHARLES RD SIDEWALK
CLARK LN TO DEMARET DR
PROPOSED SIDEWALK LAYOUT 1**

Mission
Provide safe, sustainable
infrastructure that promotes
positive communities.

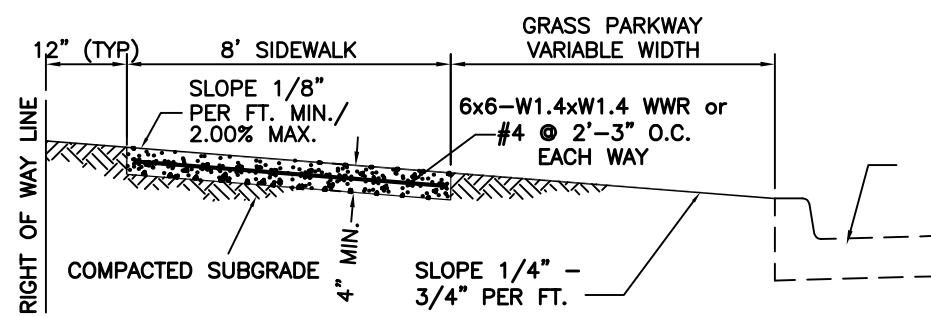
701 East Broadway
P.O. Box 6015
Columbia, MO 65205
(613) 875-2489



Shane Steven Creech
Registered Professional
Engineer
PE-2007011061

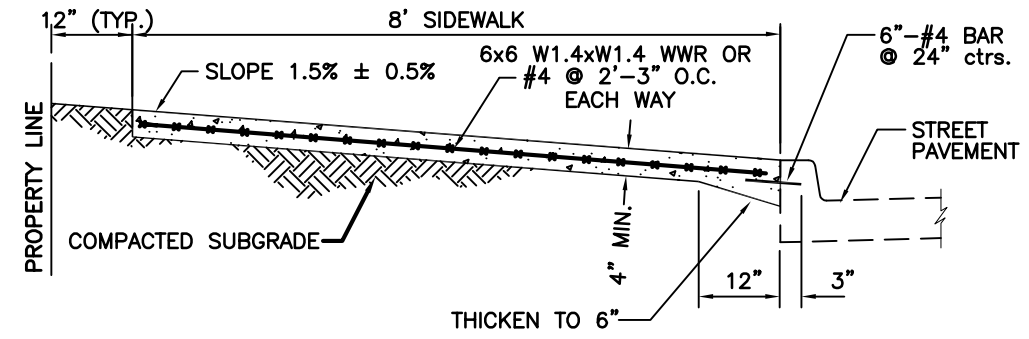
File No.
Scale: 1"=50'
Date: 12/19/2022
Des. A.A.A.
Dwn.
Chk.

c:\working\sidewalk\st_charles_12-19-2022\st_charles_12-19-2022.dwg



- NOTE:
1. SIDEWALK SHALL BE 4" THICK MODOT PAVEMENT CONCRETE.
 2. INSTALL 1/2" EXPANSION JOINTS AT INTERSECTIONS, RAMPS, STRUCTURES, DRIVEWAY APPROACHES, OR EVERY 100'.
 3. INSTALL TRANSVERSE SAW JOINTS AT SPACING EQUAL TO SIDEWALK WIDTH.
 4. STANDARD SIDEWALK PLACEMENT IS 12" FROM RIGHT OF WAY LINE.
 5. NO STEEL TO BE PLACED THROUGH EXPANSION JOINT.
 6. SIDEWALK CROSS SLOPE SHALL NOT EXCEED 2.00%.
 7. WWR OR REBAR SHALL BE ACCURATELY PLACED AND FIRMLY HELD IN PLACE DURING CONCRETE PLACEMENT BY APPROVED METHODS, SEE SECTION 238.9.

SIDEWALK WITH GRASS PARKWAY
(NOT TO SCALE)



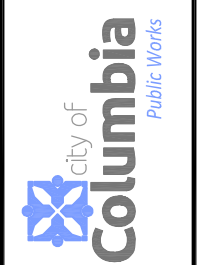
- NOTE:
1. SIDEWALK SHALL BE 4" THICK MODOT PAVEMENT CONCRETE.
 2. INSTALL 1/2" TRANSVERSE EXPANSION JOINTS TO MATCH STREET OR CURB AND GUTTER EXPANSION JOINTS AND AT ALL DRIVEWAY APPROACHES, AND SIDEWALK RAMPS.
 3. INSTALL TRANSVERSE SAW JOINTS AT SPACING EQUAL TO SIDEWALK WIDTH.
 4. NO STEEL TO BE PLACED THROUGH EXPANSION JOINT
 5. SIDEWALK CROSS SLOPE SHALL NOT EXCEED 2.00%.
 6. WWR OR REBAR SHALL BE ACCURATELY PLACED AND FIRMLY HELD IN PLACE DURING CONCRETE PLACEMENT BY APPROVED METHODS, SEE SECTION 238.9.

SIDEWALK AT BACK OF CURB
(NOT TO SCALE)

| Revision | By | Date | No. |
|----------|----|------|-----|
| | | | |
| | | | |
| | | | |

**ST CHARLES RD SIDEWALK
CLARK LN TO DEMARET DR
PROPOSED SIDEWALK LAYOUT 2**

Mission
Provide safe, sustainable
infrastructure that promotes
positive communities.
701 East Broadway
P.O. Box 6015
Columbia, MO 65205
(673) 875-2489



Shane Steven Creach
Registered Professional
Engineer
PE-2007011061

File No.
Scale: 1"=50'
Date: 12/19/2022
Des. AAA
Dwn.
Chk.

o:\sddp\sidewalk\st_charles_w-Clark to demaret\stcharles_city_topo & aerial.dwg