

2001 W. Broadway  
Columbia, MO 65203  
P 573-814-1588  
F 573-814-1128

Ankeny, IA | Carroll, IA  
Cedar Rapids, IA | Clive, IA  
Coralville, IA | Council Bluffs, IA  
Fort Dodge, IA | Sioux City, IA  
Columbia, MO | Macon, MO  
North Kansas City, MO | Springfield, MO  
Lenexa, KS  
Portsmouth, NH

**NOTICE:** McClure Engineering Co. is not responsible or liable for any issues, claims, damages, or losses (collectively, "Losses") which arise from failure to follow these Plans, Specifications, and the engineering intent they convey, or for Losses which arise from failure to obtain and/or follow the engineers' or surveyors' guidance with respect to any alleged errors, omissions, inconsistencies, ambiguities, or conflicts contained within the Plans and Specifications.

MISSOURI CERTIFICATE OF AUTHORITY NO. E-2006023253  
EXPIRES DECEMBER 31, 2024

**\*\* PRELIMINARY \*\***  
**NOT FOR CONSTRUCTION**

Mike Hall  
MO PE-30044  
November 9, 2023

REVISIONS

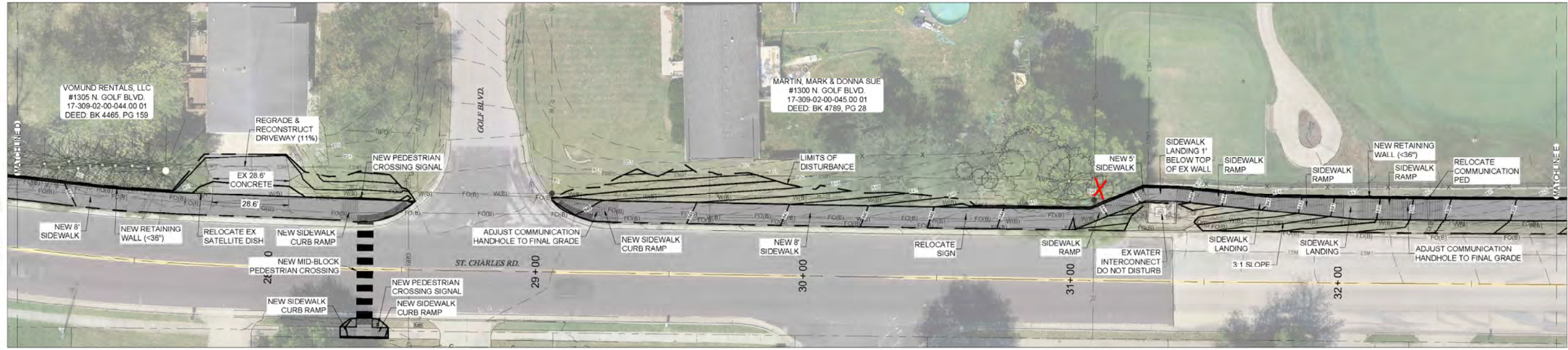
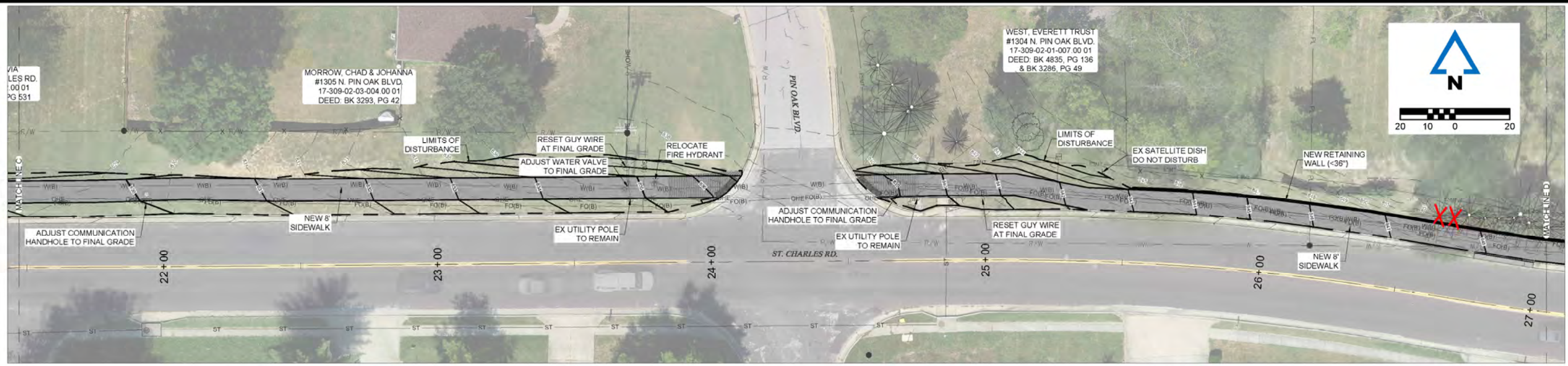
PROJECT INFO  
2023000517

ENGINEER	DRAWN BY	CHECKED BY
MMH	SMH	CMS

ST CHARLES ROAD SIDEWALK  
COLUMBIA, MISSOURI  
TAP 2101511

PRELIMINARY DESIGN - PLAN 1

\\MCC\CG\PROJ\2023000517\04-DRAWINGS\03-EXHIBITS-CONCEPTS\PRELIMINARY DESIGN - CHECK PLANS DWG



**\*\* PRELIMINARY \*\***  
**NOT FOR CONSTRUCTION**

Mike Hall  
MO PE-30044  
November 9, 2023

REVISIONS

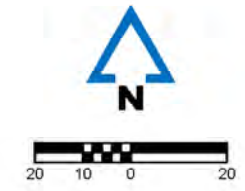
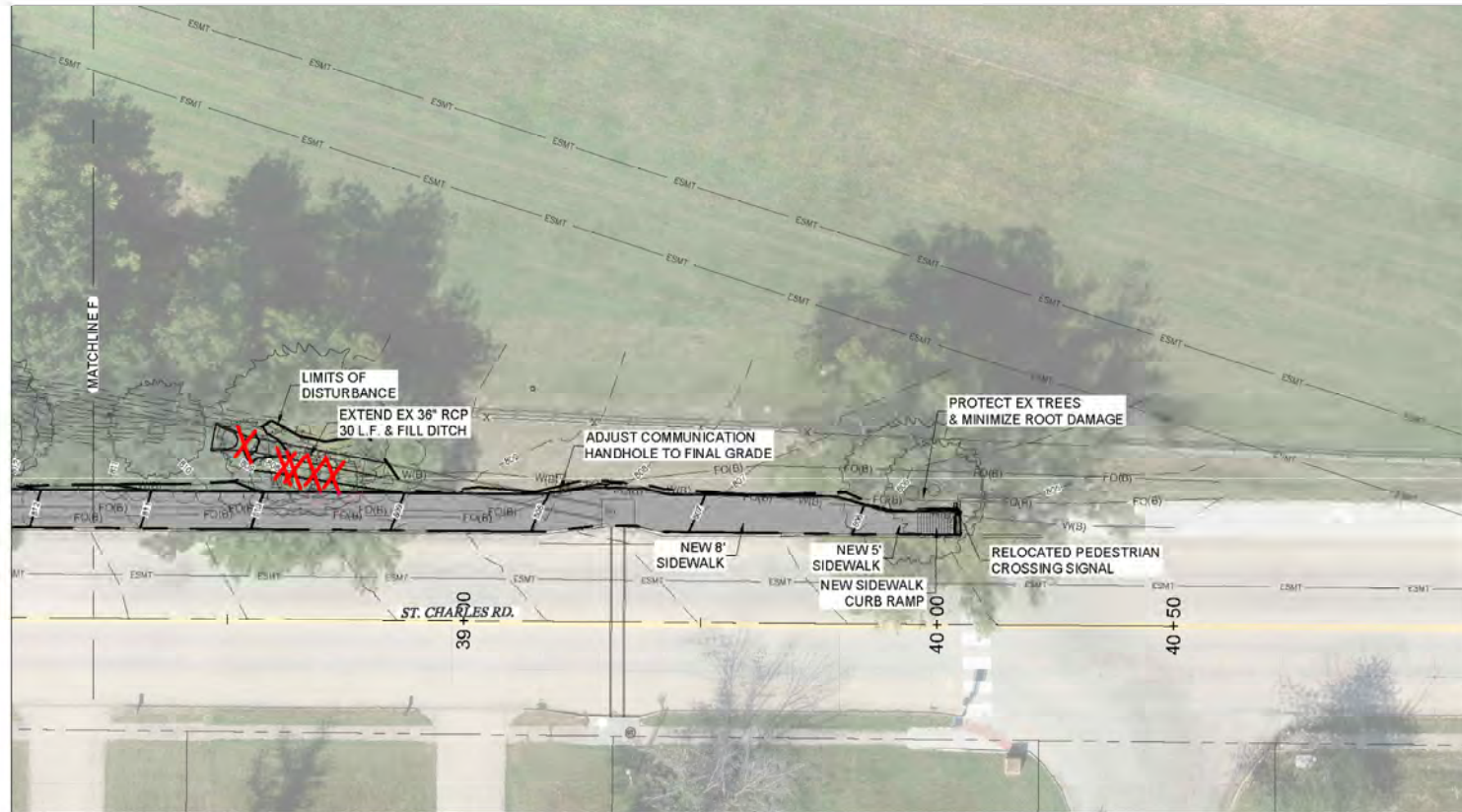
PROJECT INFO  
2023000517

ENGINEER	DRAWN BY	CHECKED BY
MMH	SMH	CMS

**ST CHARLES ROAD SIDEWALK  
COLUMBIA, MISSOURI  
TAP 2101511**

**PRELIMINARY DESIGN - PLAN 2**

W:\CECOCUG\PROJECTS\2023000517\04-DRAWINGS\03-EXHIBITS-CONCEPTS\PRELIMINARY DESIGN - CHECK PLANS DWG



**McCLURE™**  
 2001 W. Broadway  
 Columbia, MO 65203  
 P 573-814-1568  
 F 573-814-1128

Ankeny, IA | Carroll, IA  
 Cedar Rapids, IA | Clive, IA  
 Coralville, IA | Council Bluffs, IA  
 Fort Dodge, IA | Sioux City, IA  
 Columbia, MO | Macon, MO  
 North Kansas City, MO | Springfield, MO  
 Lenexa, KS  
 Portsmouth, NH

**NOTICE:**  
 McClure Engineering Co. is not responsible or liable for any issues, claims, damages, or losses (collectively, "Losses") which arise from failure to follow these Plans, Specifications, and the engineering intent they convey, or for Losses which arise from failure to obtain and/or follow the engineers' or surveyors' guidance with respect to any alleged errors, omissions, inconsistencies, ambiguities, or conflicts contained within the Plans and Specifications.

MISSOURI CERTIFICATE OF AUTHORITY NO. E-2008023253  
 EXPIRES: DECEMBER 31, 2024

**\*\* PRELIMINARY \*\***  
**NOT FOR CONSTRUCTION**

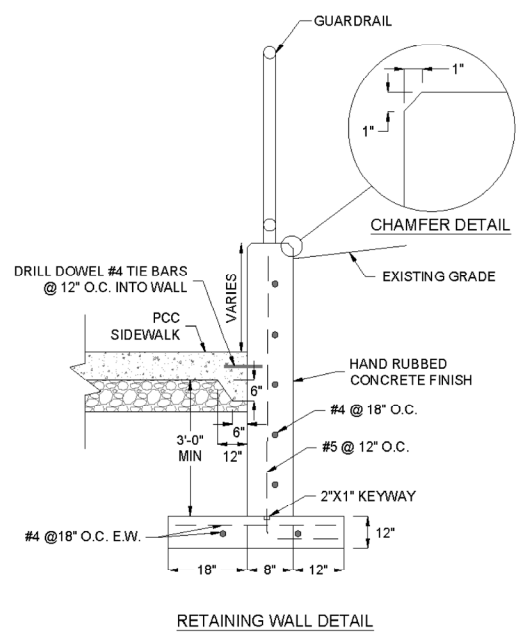
Mike Hall  
 MO PE-30044  
 November 9, 2023

REVISIONS

NO.	DESCRIPTION

PROJECT INFO  
 2023000517

ENGINEER	DRAWN BY	CHECKED BY
MMH	SMH	OMS



ST CHARLES ROAD SIDEWALK  
 COLUMBIA, MISSOURI  
 TAP 2101511

PRELIMINARY DESIGN - PLAN 3

\\MCE\CG\GCF\02\PROJECTS\2023000517\04-DRAWINGS\03-EXHIBITS-CONCEPTS\PRELIMINARY DESIGN - CHECK PLANS DWG