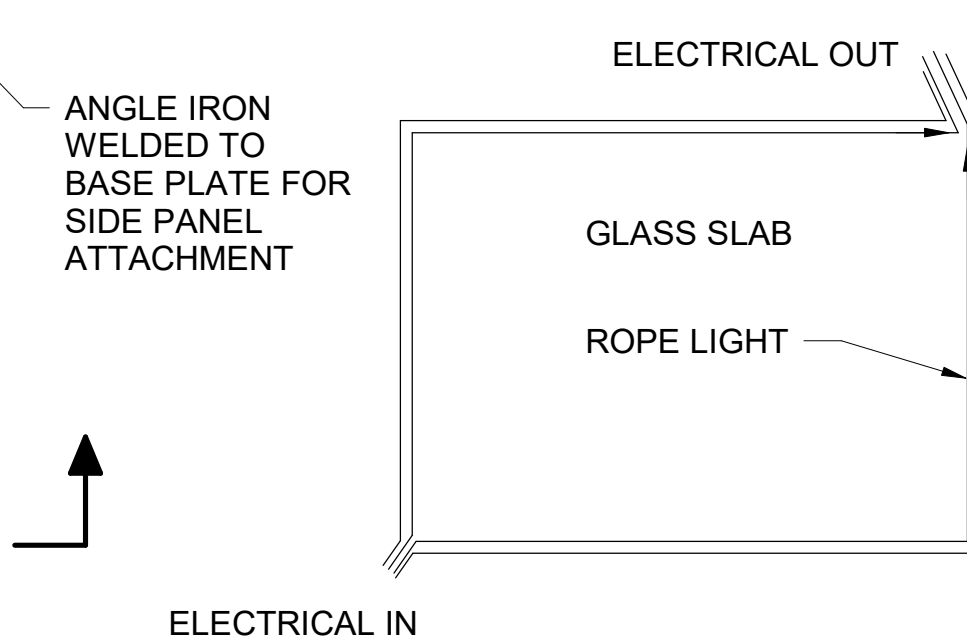
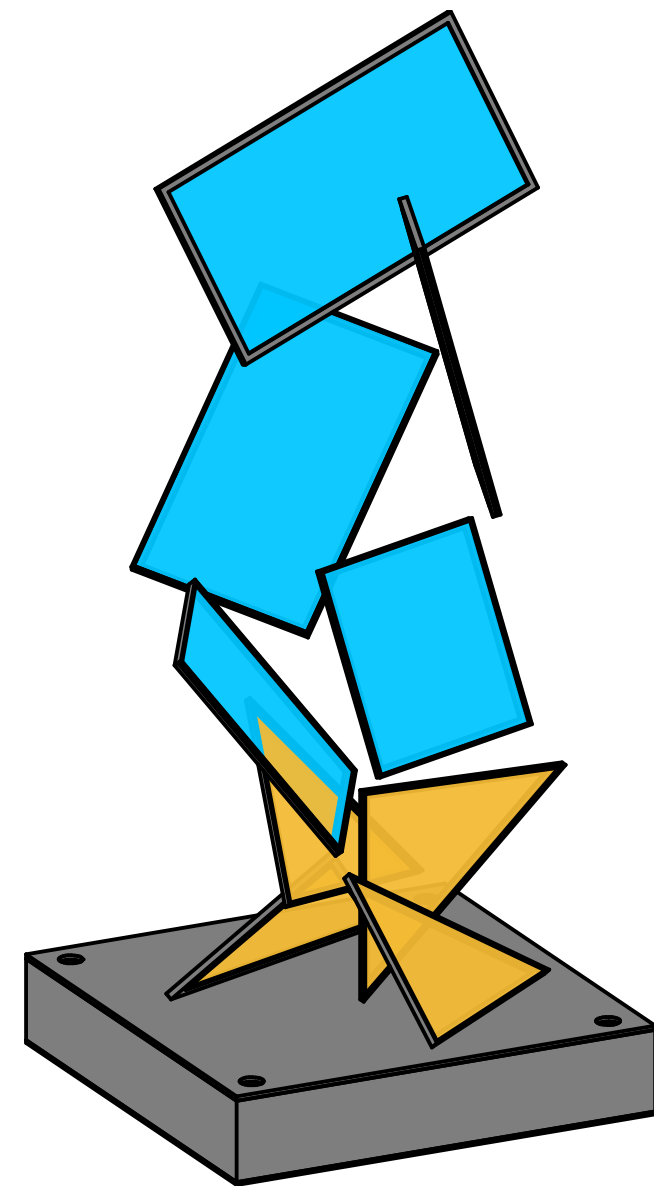


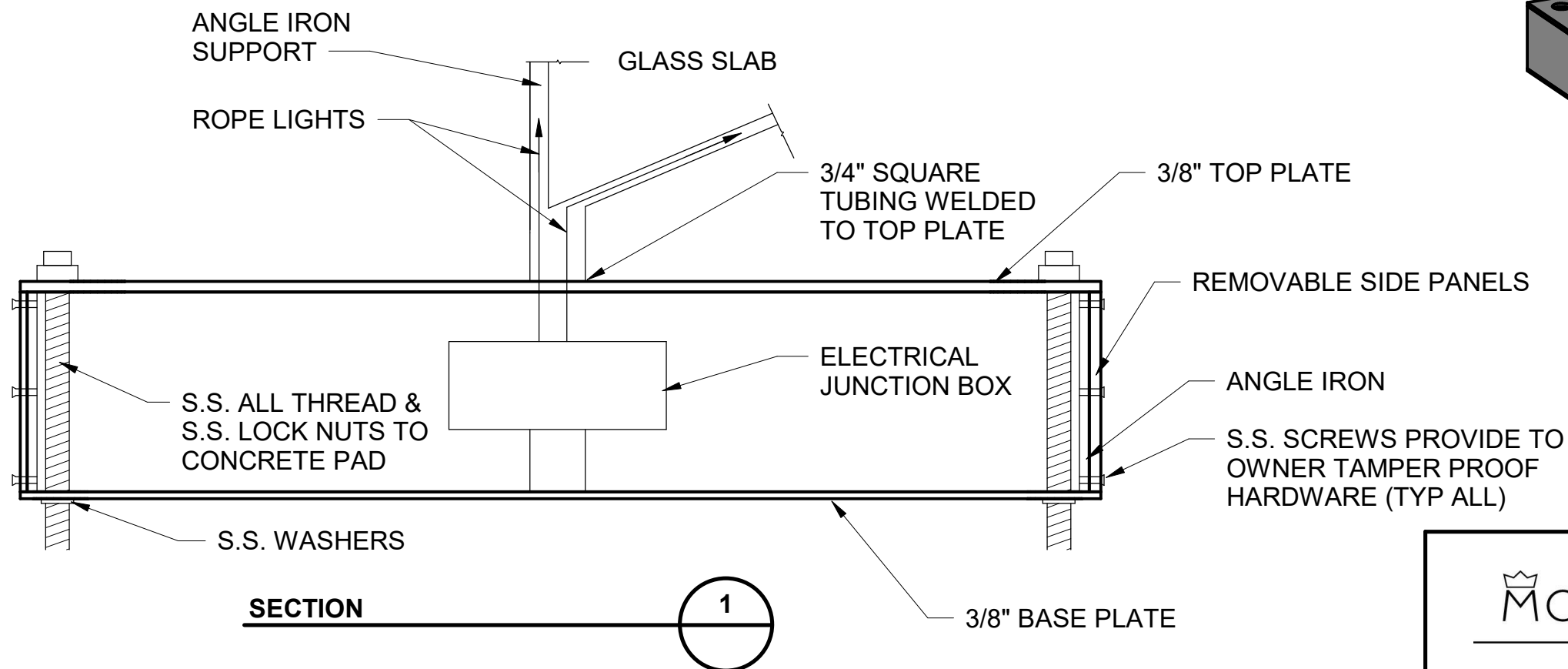
**BASE PLATE TO CONCRETE PAD**



**ELECTRICAL DETAIL**



**NOTE:**  
3/4" SQUARE TUBING FOR ELECTRICAL FROM JUNCTION BOX.



**SECTION**

	COLUMBIA FIRE STATION
	SHEET: 2 OF 2
	SCALE: NOT TO SCALE