

**** PRELIMINARY ****
NOT FOR CONSTRUCTION

Mike Hall
MO PE-30044
November 9, 2023

REVISIONS

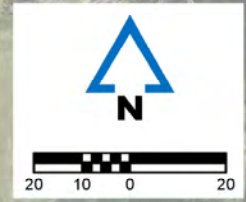
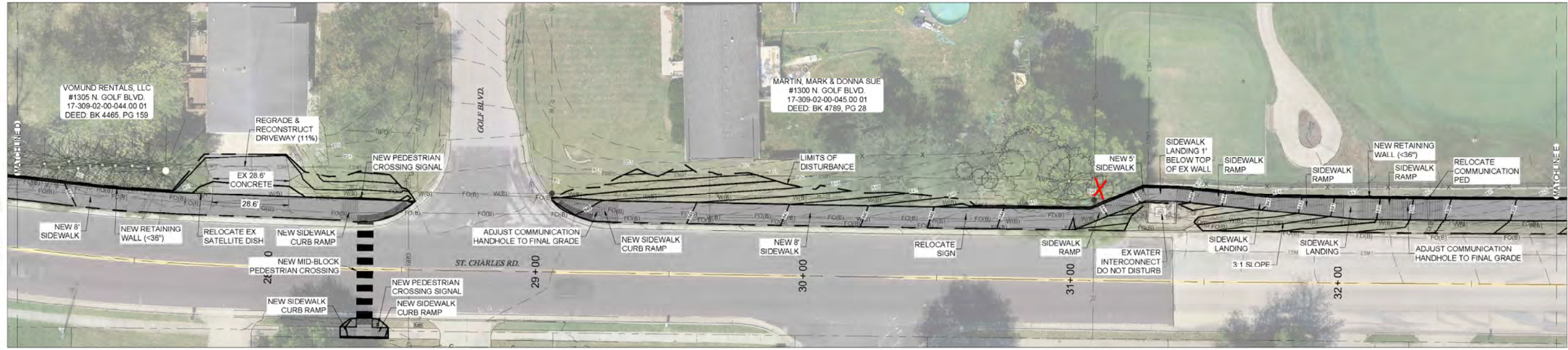
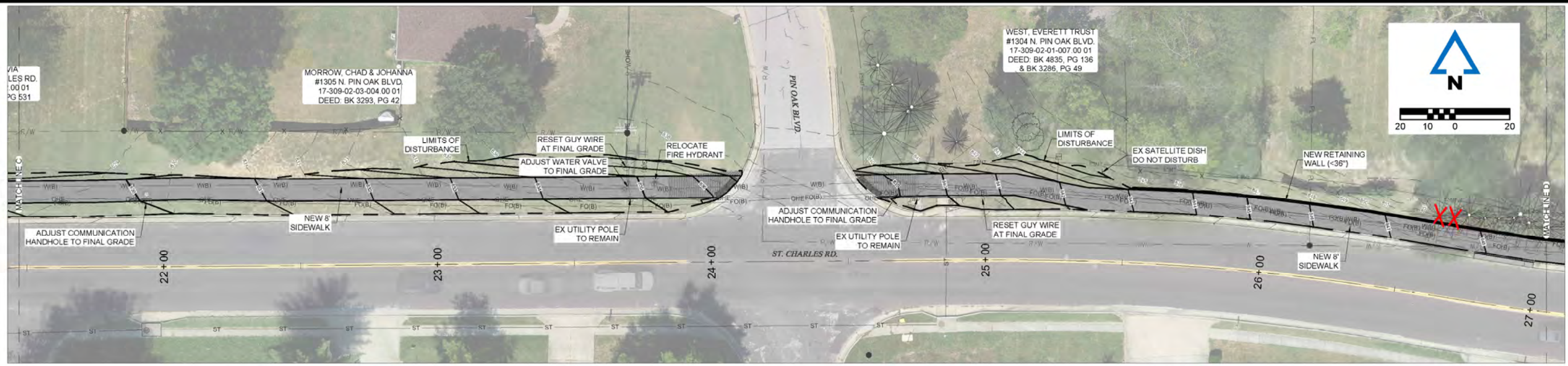
PROJECT INFO
2023000517

ENGINEER	DRAWN BY	CHECKED BY
MMH	SMH	CMS

**ST CHARLES ROAD SIDEWALK
COLUMBIA, MISSOURI
TAP 2101511**

PRELIMINARY DESIGN - PLAN 1

\\MCC\CGP\PROJ\2023\2023000517\04-DRAWINGS\03-EXHIBITS-CONCEPTS\PRELIMINARY DESIGN - CHECK PLANS DWG



McCLURE™
 2001 W. Broadway
 Columbia, MO 65203
 P 573-814-1568
 F 573-814-1128

Ankeny, IA | Carroll, IA
 Cedar Rapids, IA | Clive, IA
 Coralville, IA | Council Bluffs, IA
 Fort Dodge, IA | Sioux City, IA
 Columbia, MO | Macon, MO
 North Kansas City, MO | Springfield, MO
 Lenexa, KS
 Portsmouth, NH

NOTICE:
 McClure Engineering Co. is not responsible or liable for any issues, claims, damages, or losses (collectively, "Losses") which arise from failure to follow these Plans, Specifications, and the engineering intent they convey, or for Losses which arise from failure to obtain and/or follow the engineers' or surveyors' guidance with respect to any alleged errors, omissions, inconsistencies, ambiguities, or conflicts contained within the Plans and Specifications.

MISSOURI CERTIFICATE OF AUTHORITY NO. E-2006023253
 EXPIRES: DECEMBER 31, 2024

**** PRELIMINARY ****
NOT FOR CONSTRUCTION

Mike Hall
 MO PE-30044
 November 9, 2023

REVISIONS

PROJECT INFO
 2023000517

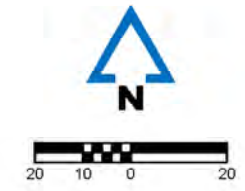
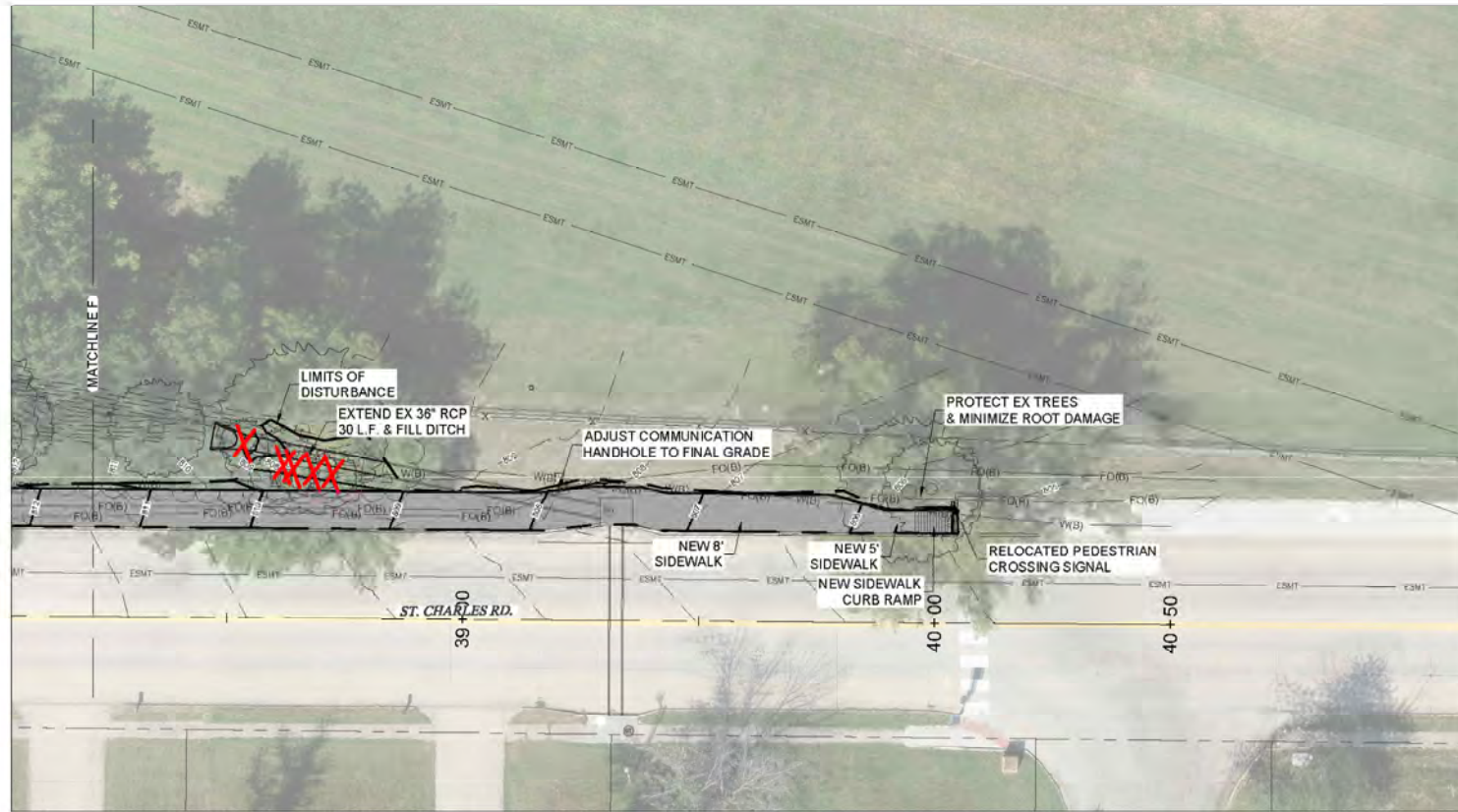
ENGINEER	DRAWN BY	CHECKED BY
MMH	SMH	CMS

ST CHARLES ROAD SIDEWALK
COLUMBIA, MISSOURI
TAP 2101511

PRELIMINARY DESIGN - PLAN 2

DRAWING NO.
3

W:\CECOCUG\PROJECTS\2023000517\04-DRAWINGS\03-EXHIBITS-CONCEPTS\PRELIMINARY DESIGN - CHECK PLANS DWG



McCLURE™
 2001 W. Broadway
 Columbia, MO 65203
 P 573-814-1568
 F 573-814-1128

Ankeny, IA | Carroll, IA
 Cedar Rapids, IA | Clive, IA
 Coralville, IA | Council Bluffs, IA
 Fort Dodge, IA | Sioux City, IA
 Columbia, MO | Macon, MO
 North Kansas City, MO | Springfield, MO
 Lenexa, KS
 Portsmouth, NH

NOTICE:
 McClure Engineering Co. is not responsible or liable for any issues, claims, damages, or losses (collectively, "Losses") which arise from failure to follow these Plans, Specifications, and the engineering intent they convey, or for Losses which arise from failure to obtain and/or follow the engineers' or surveyors' guidance with respect to any alleged errors, omissions, inconsistencies, ambiguities, or conflicts contained within the Plans and Specifications.

MISSOURI CERTIFICATE OF AUTHORITY NO. E-2008023253
 EXPIRES: DECEMBER 31, 2024

**** PRELIMINARY **
 NOT FOR
 CONSTRUCTION**

Mike Hall
 MO PE-30044
 November 9, 2023

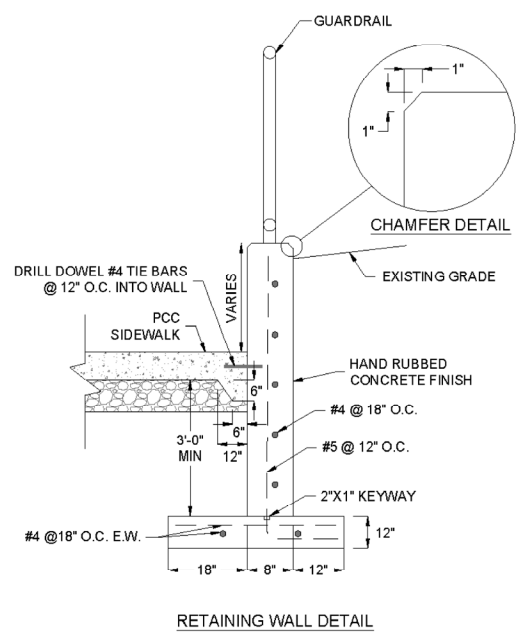
REVISIONS

PROJECT INFO
 2023000517

ENGINEER	DRAWN BY	CHECKED BY
MMH	SMH	OMS

**ST CHARLES ROAD SIDEWALK
 COLUMBIA, MISSOURI
 TAP 2101511**

PRELIMINARY DESIGN - PLAN 3



\\MCE\CG\GCF\02\PROJECTS\2023000517\04-DRAWINGS\03-EXHIBITS-CONCEPTS\PRELIMINARY DESIGN - CHECK PLANS DWG