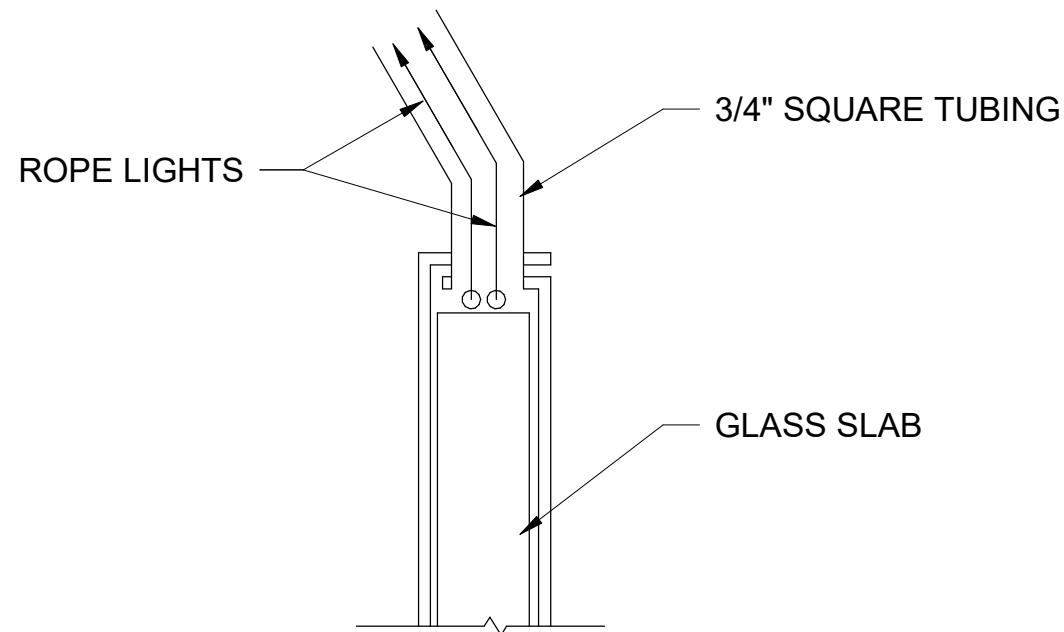
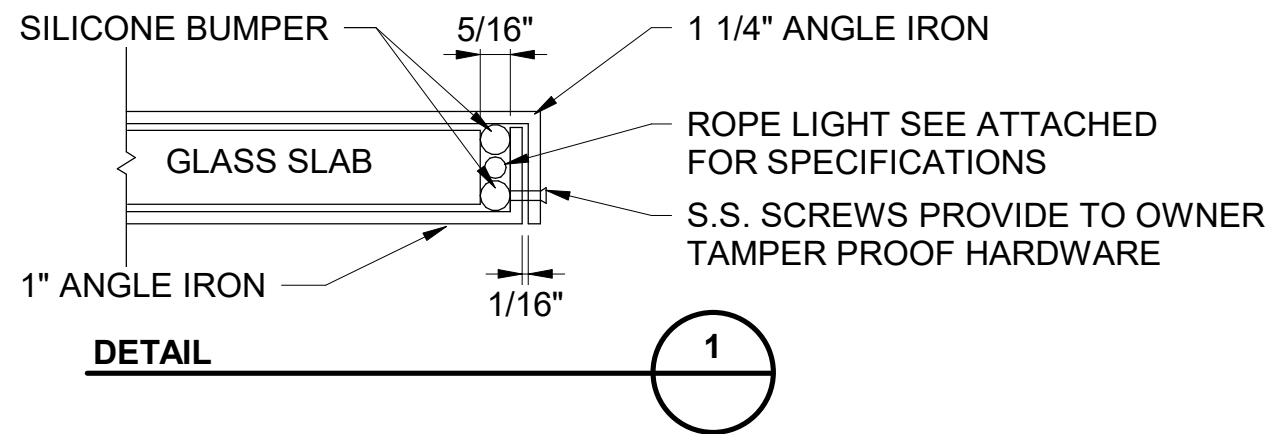
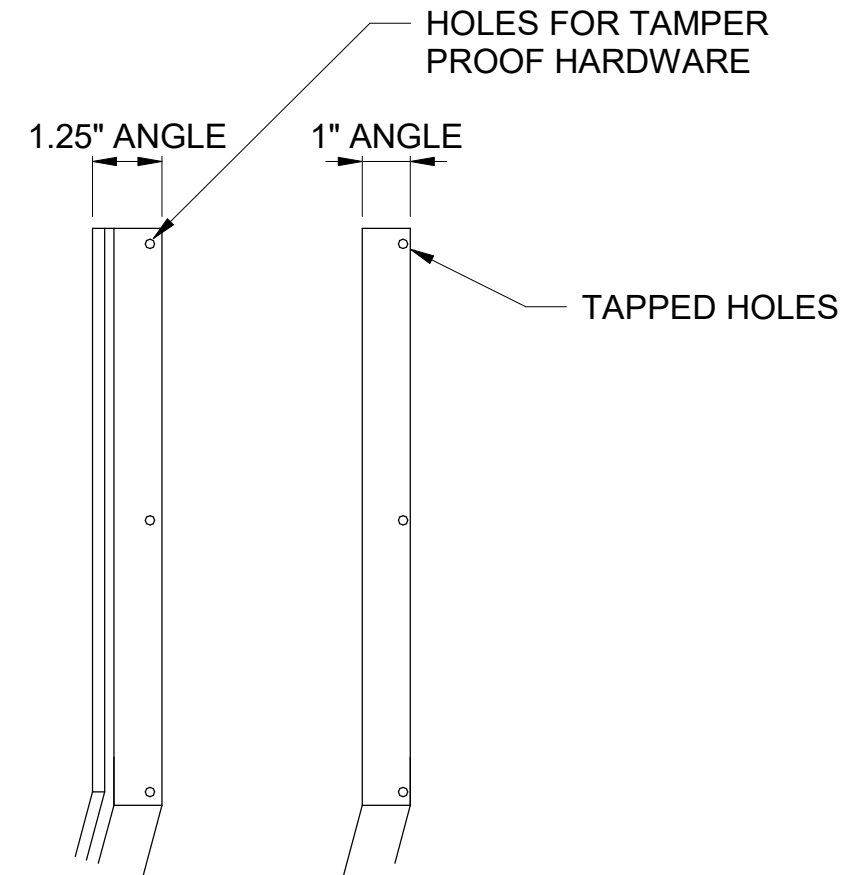


GLASS PANEL SUPPORT DETAIL



PANEL FRAMING



ANGLE IRON DETAIL

GENERAL NOTES:

1. FULL HEIGHT OF PIECE IS 7 FEET. WEIGHT OF PIECE IS 350 POUNDS.
2. ALL FRAMING AND BASE MATERIAL WILL BE FABRICATED FROM MILD STEEL WITH HEAVY BLACK EXTERIOR-RATED PAINT.
3. SCULPTURE WILL NEED 6" DEEP CONCRETE PAD WITH 24" CLEAR RADIUS FROM THE CONDUIT.